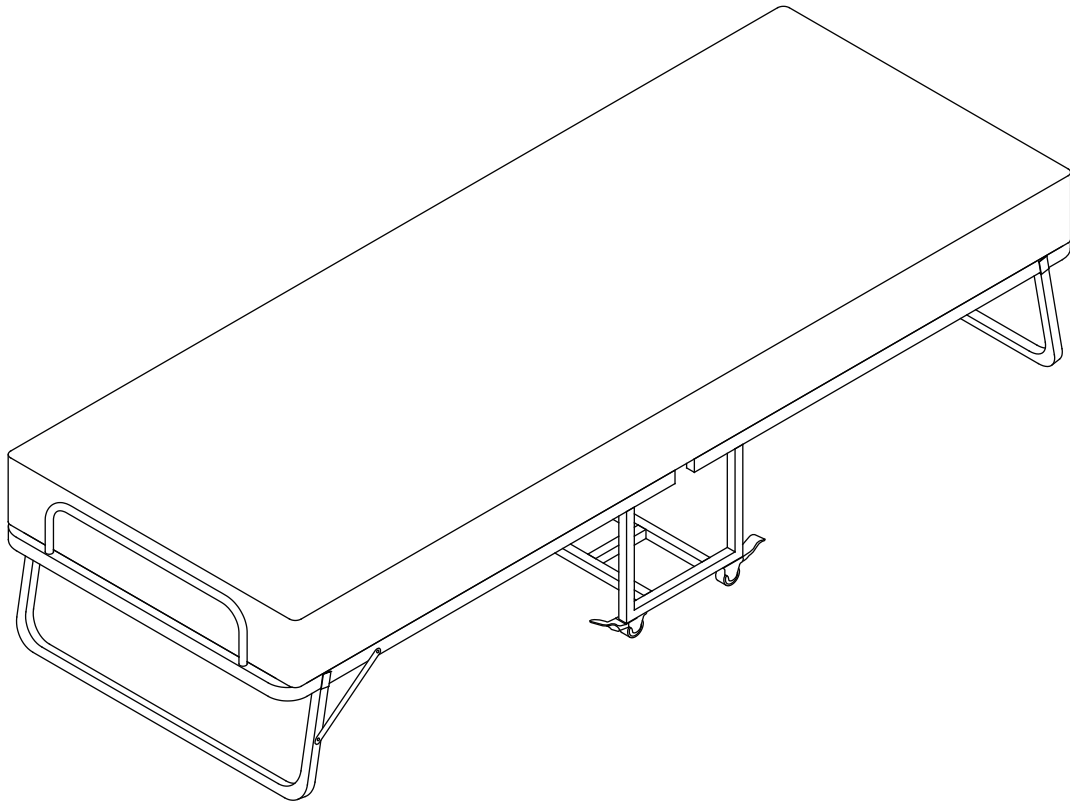
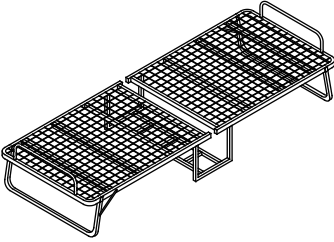
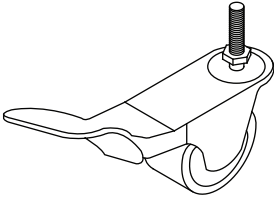
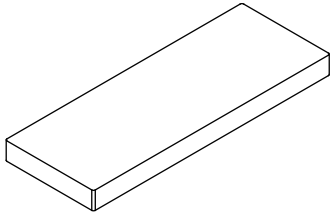
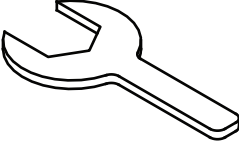


ASSEMBLY INSTRUCTION



1.  x1	2.  x4	3.  x1
A.  x1		

