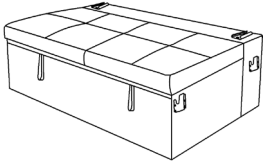
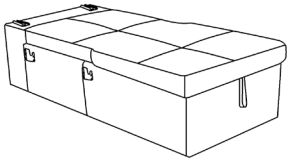
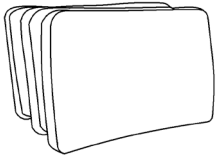
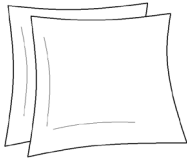


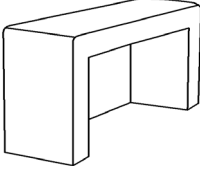
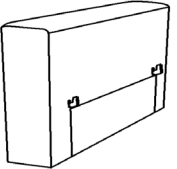
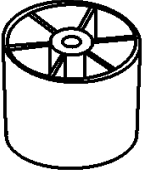
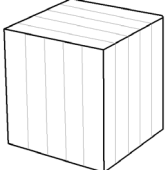

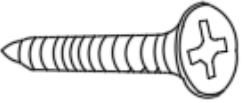
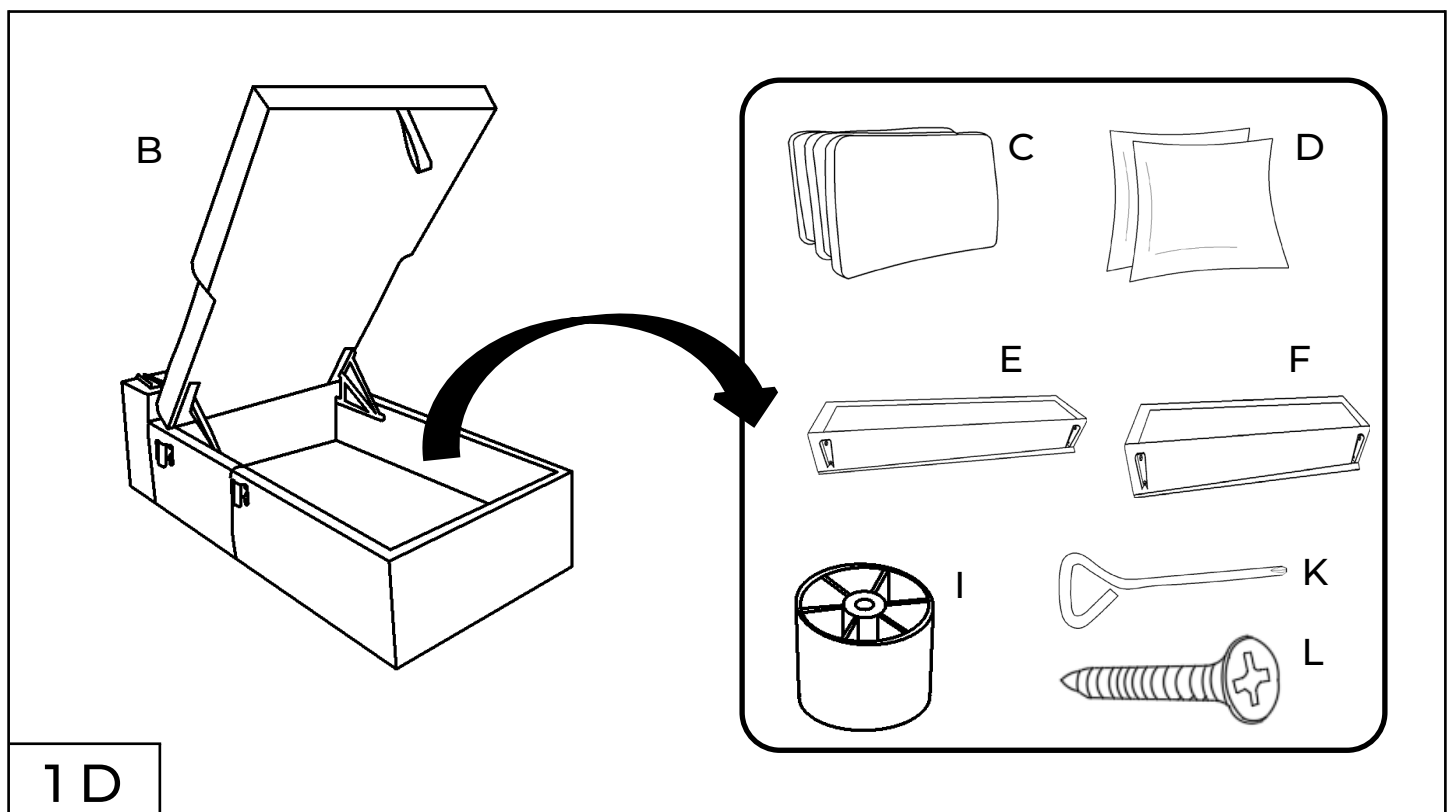


CANAPE D'ANGLE MARION CONVERTIBLE

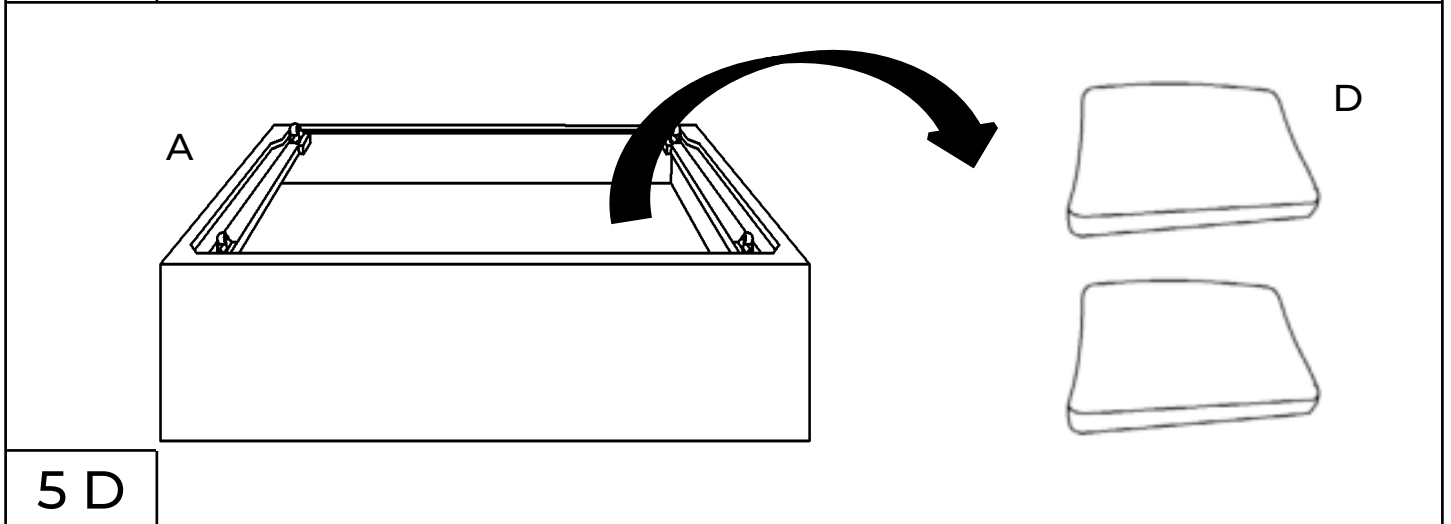
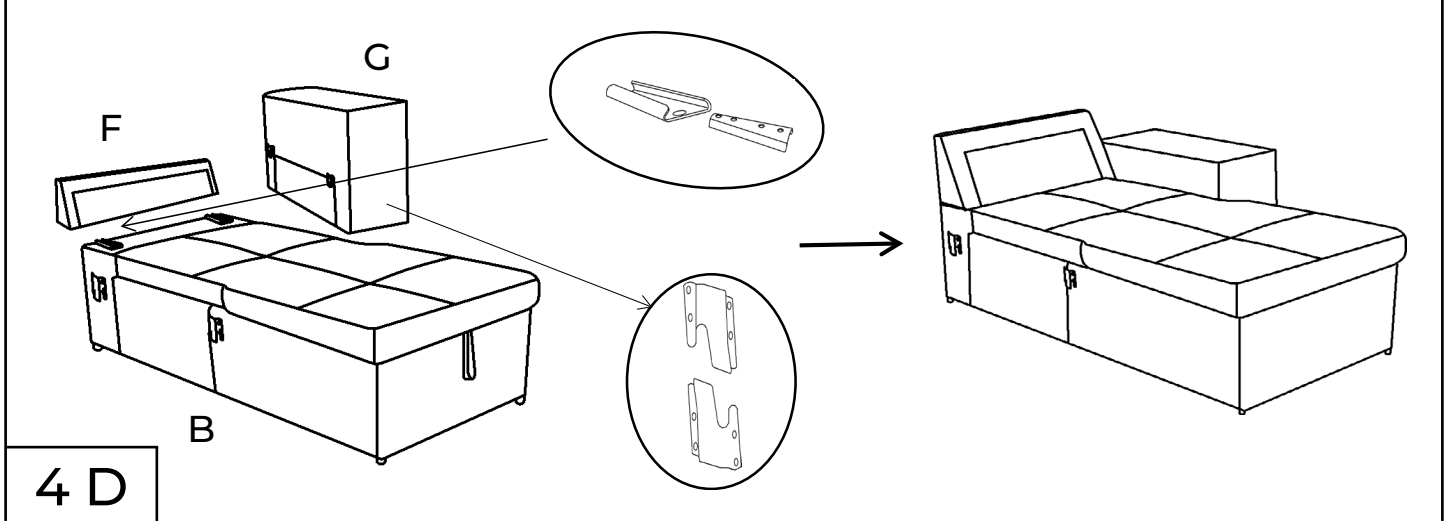
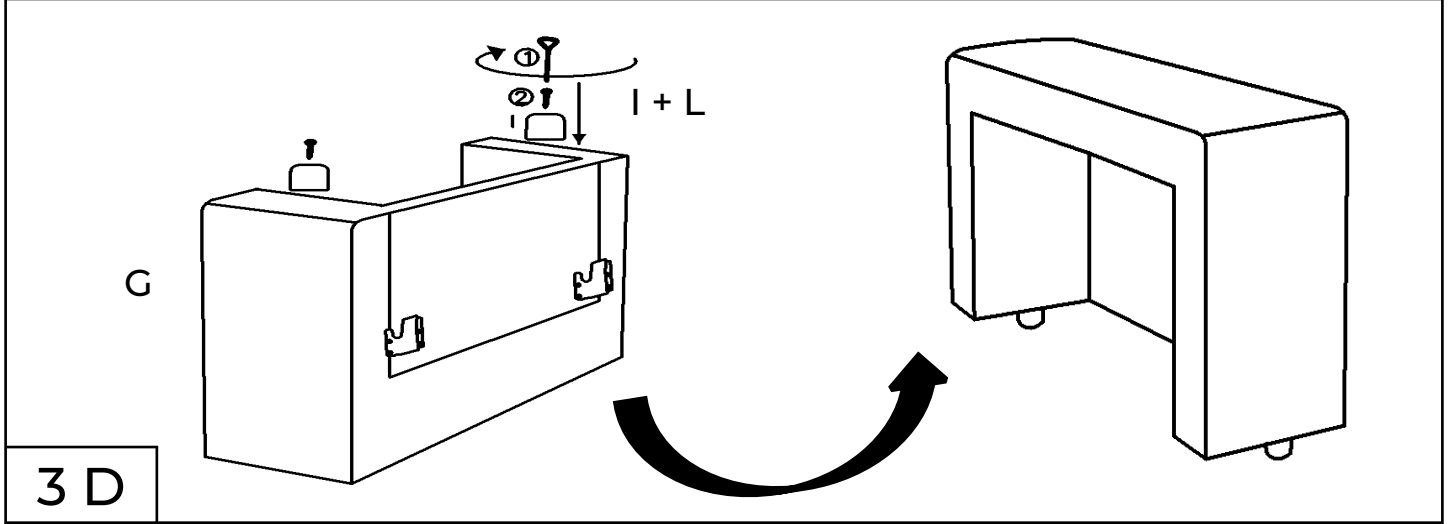
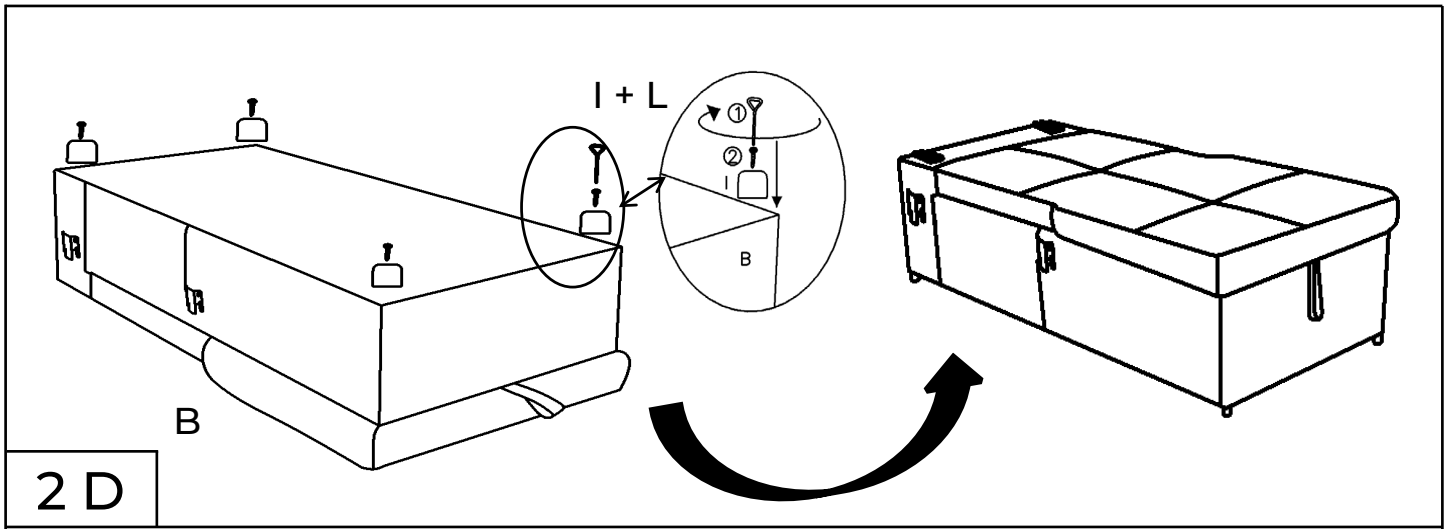
Liste des éléments

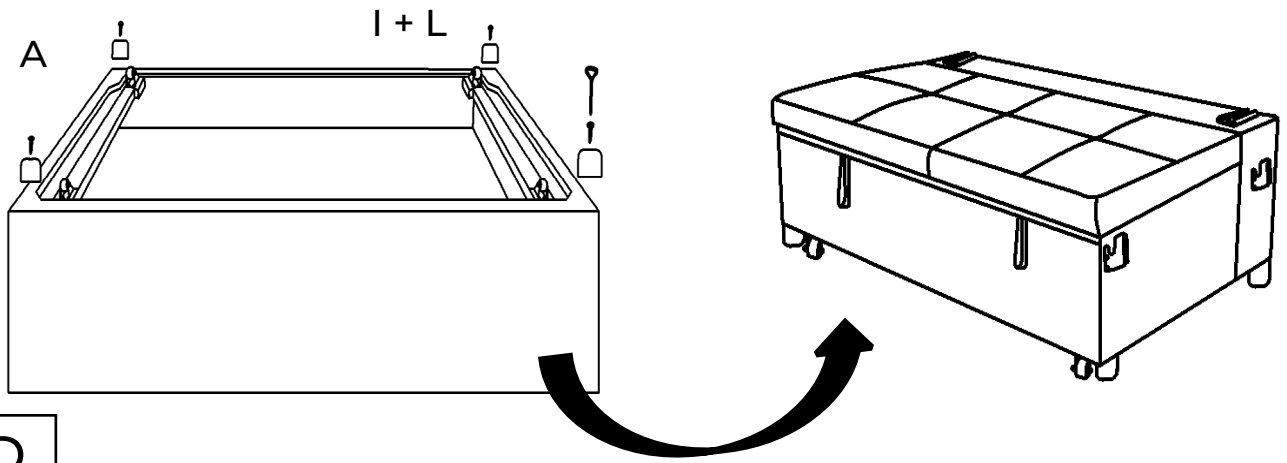
<p>A x1</p> 	<p>B x1</p> 	<p>C x3</p> 	<p>D x2</p> 
<p>E x1</p> 	<p>F x1</p> 	<p>G x1</p> 	<p>H x1</p> 
<p>I x20</p> 	<p>J x2</p> 	<p>K x1</p> 	<p>L x20</p> 

Assemblage des éléments - ANGLE DROIT

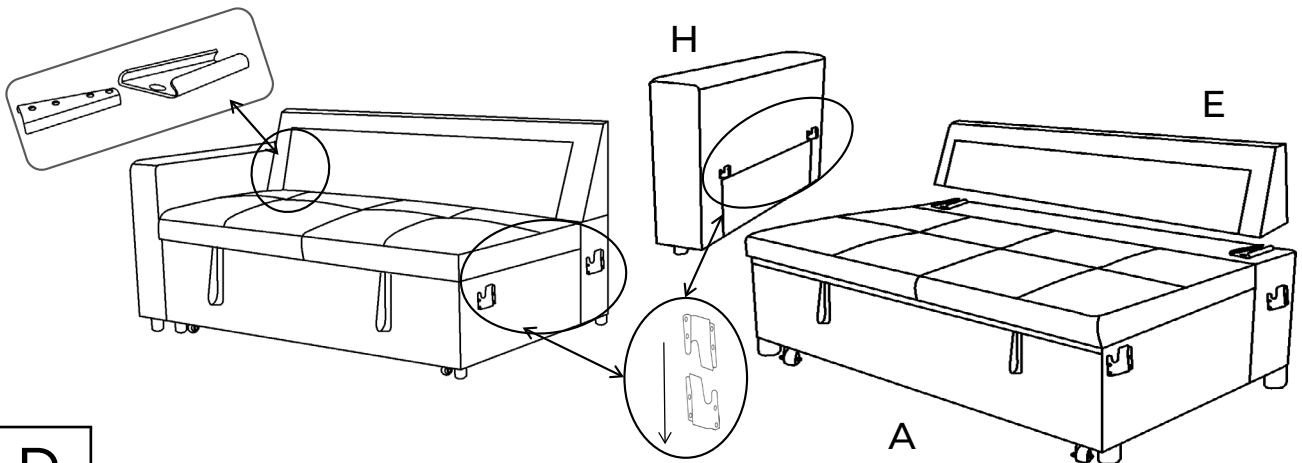


1 D

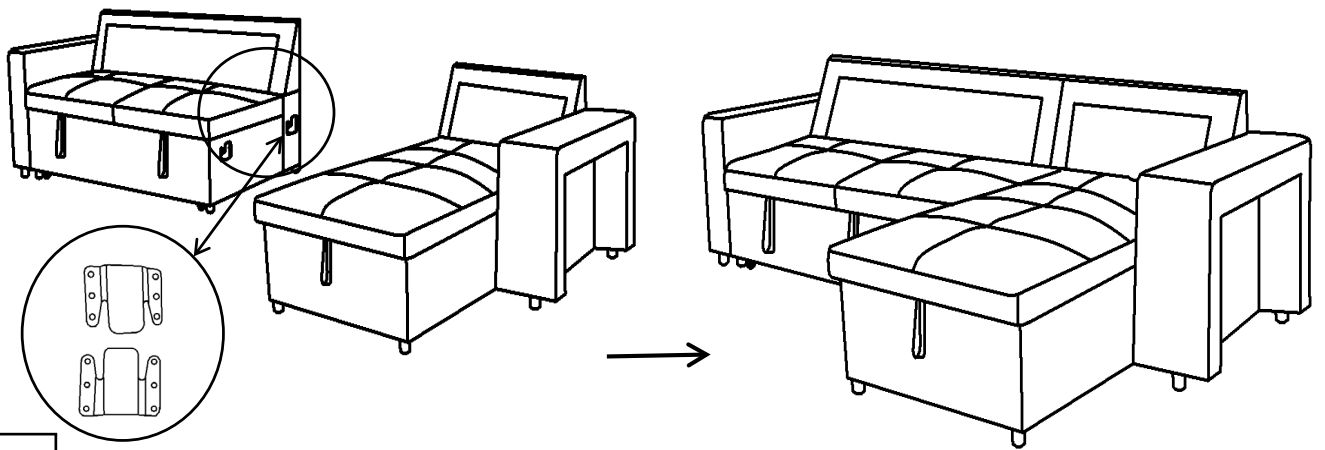




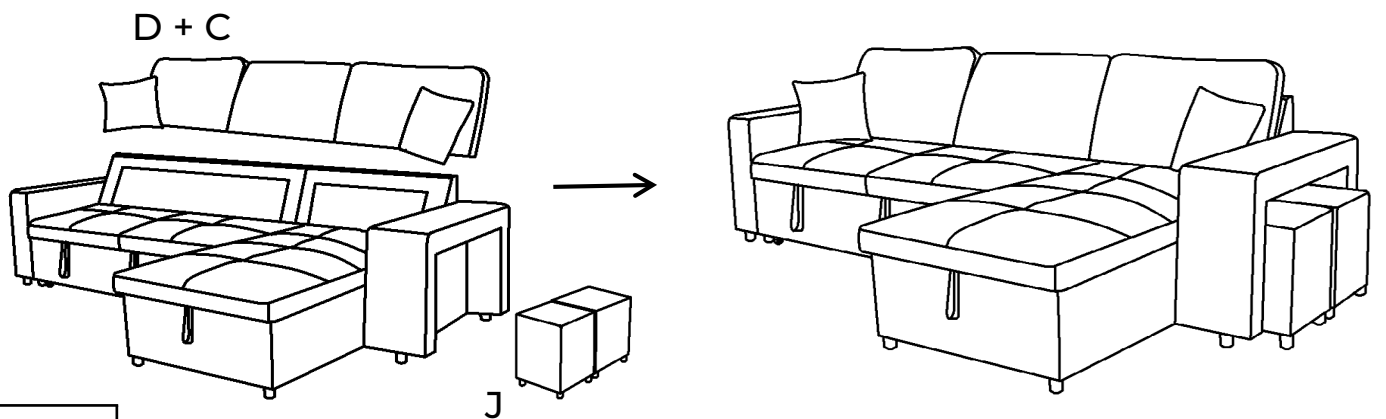
6 D



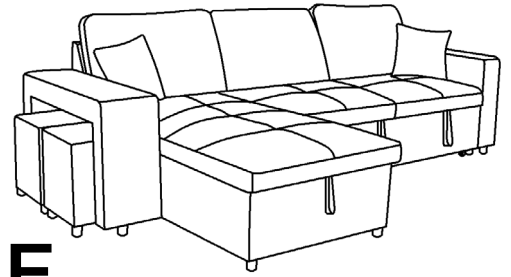
7 D



8 D

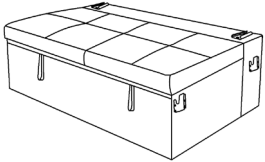
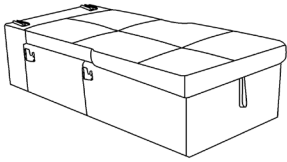
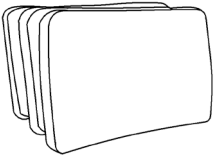
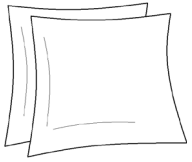


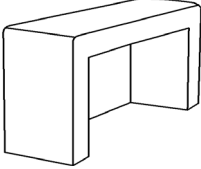
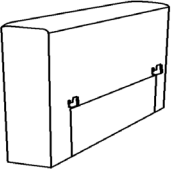
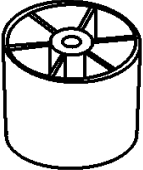
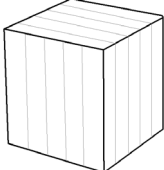

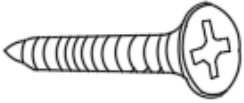


9 D

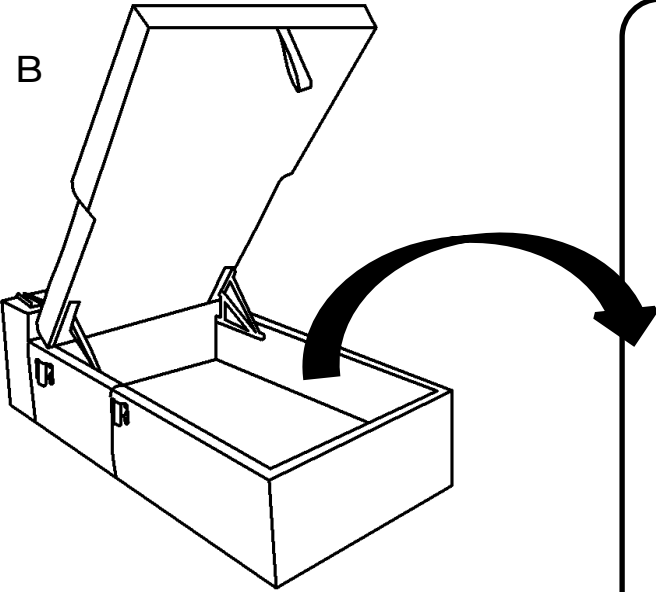


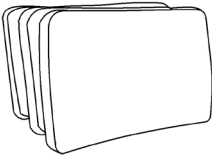
CANAPE D'ANGLE MARION CONVERTIBLE

Liste des éléments

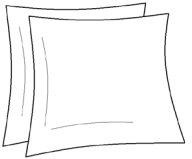
<p>A x1</p> 	<p>B x1</p> 	<p>C x3</p> 	<p>D x2</p> 
<p>E x1</p> 	<p>F x1</p> 	<p>G x1</p> 	<p>H x1</p> 
<p>I x20</p> 	<p>J x2</p> 	<p>K x1</p> 	<p>L x20</p> 

Assemblage des éléments - ANGLE GAUCHE







C



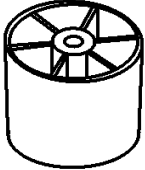
D




E



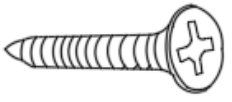
F



I

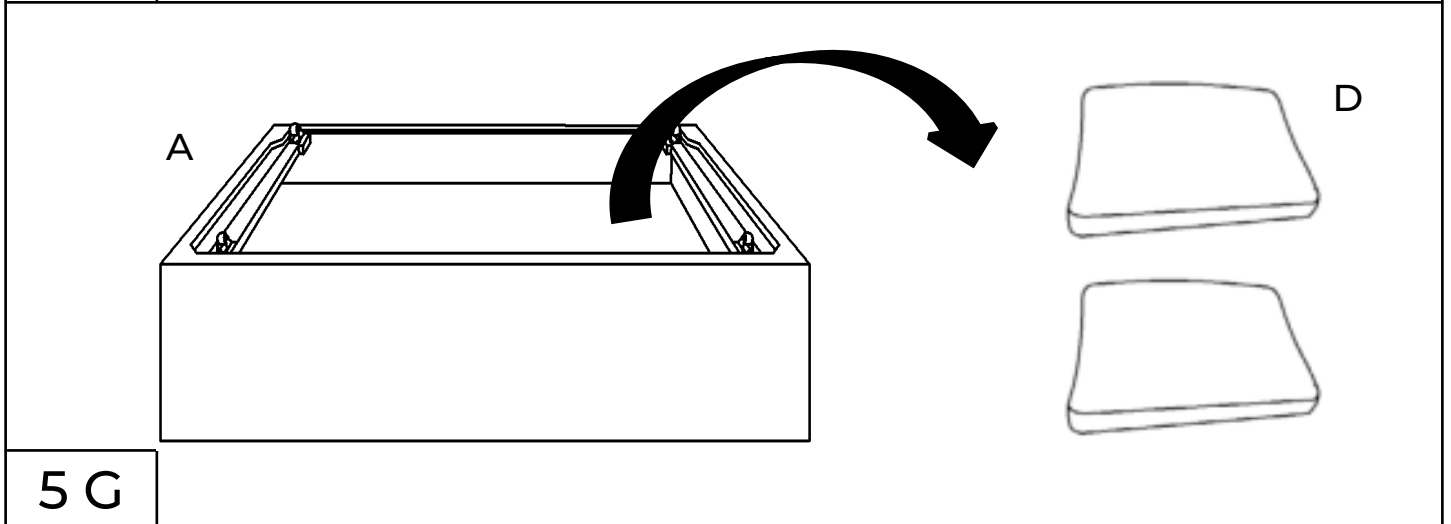
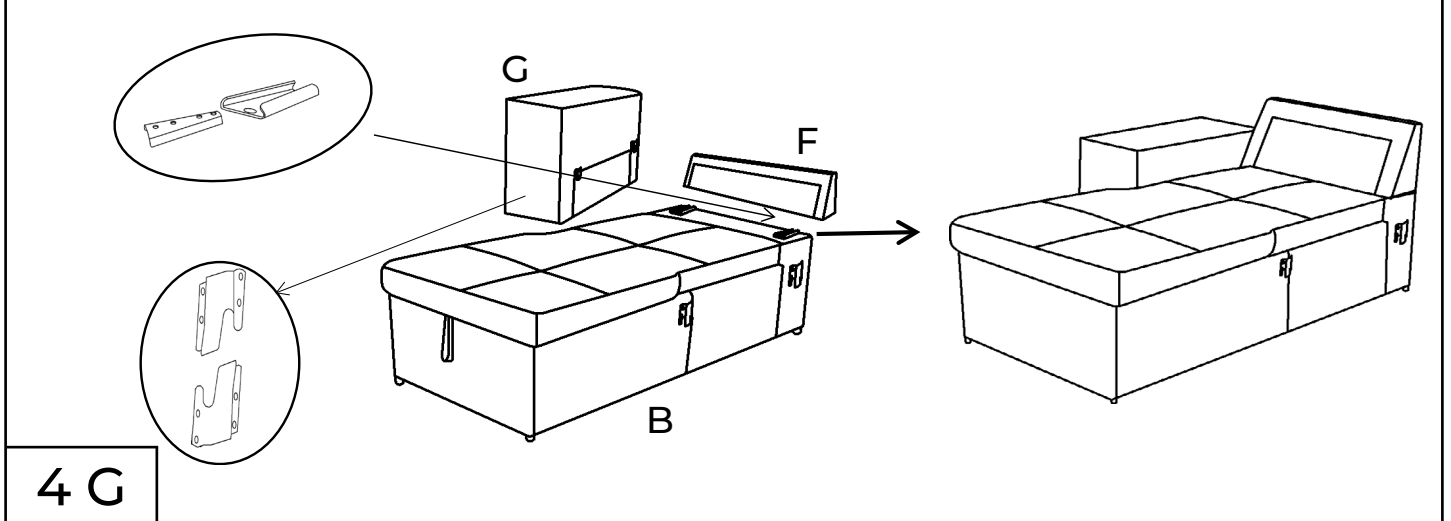
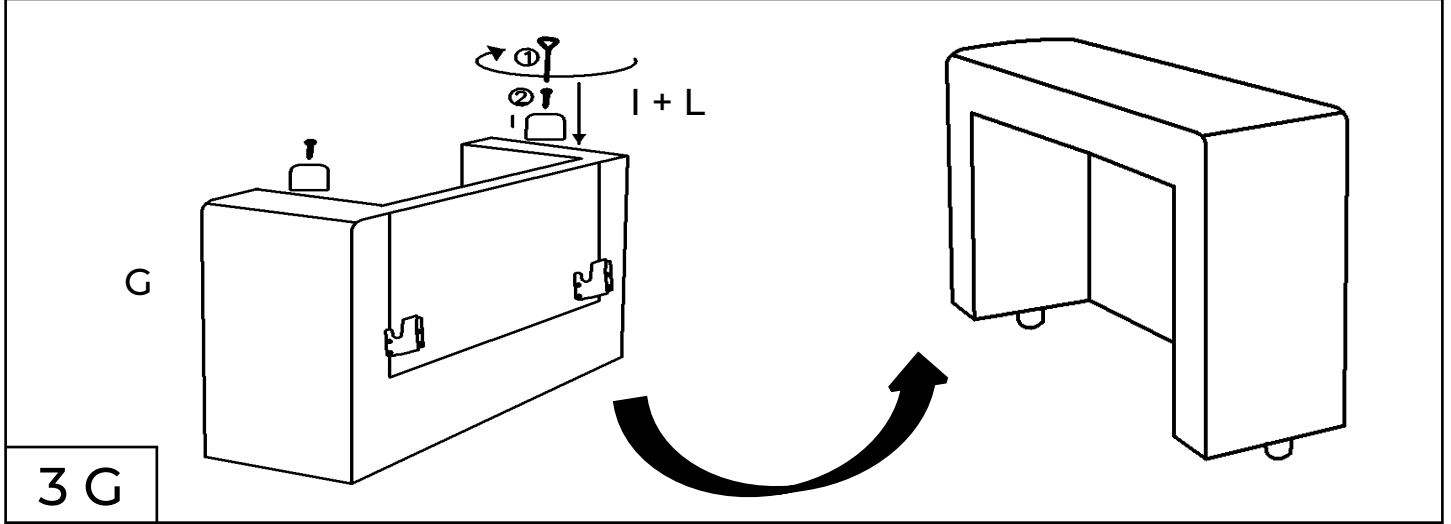
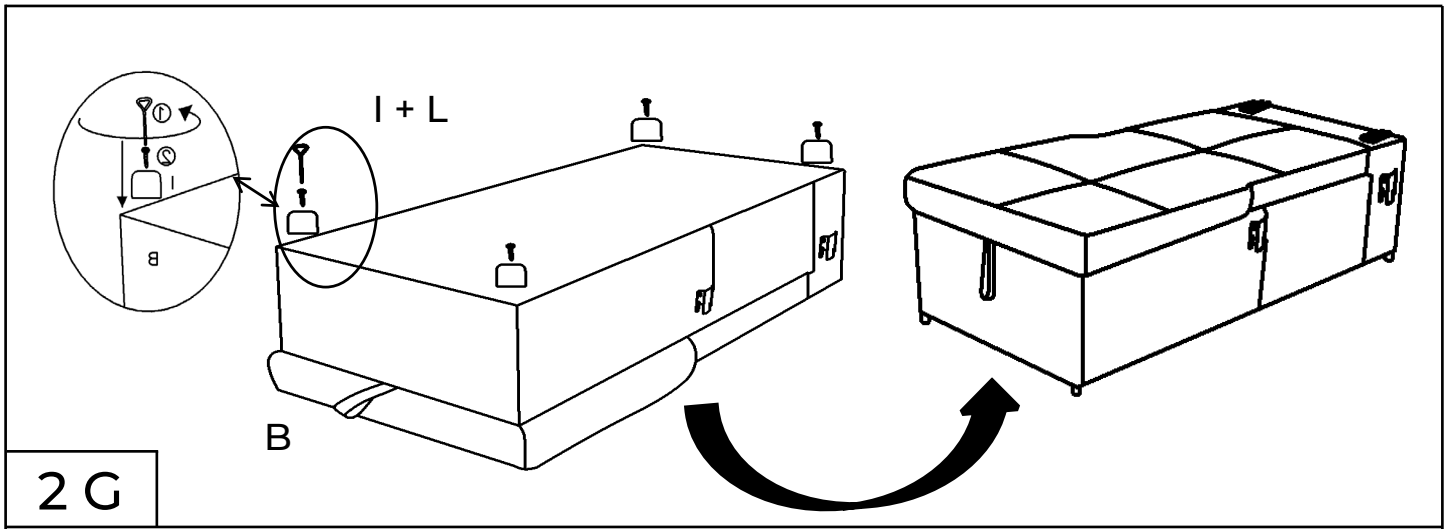


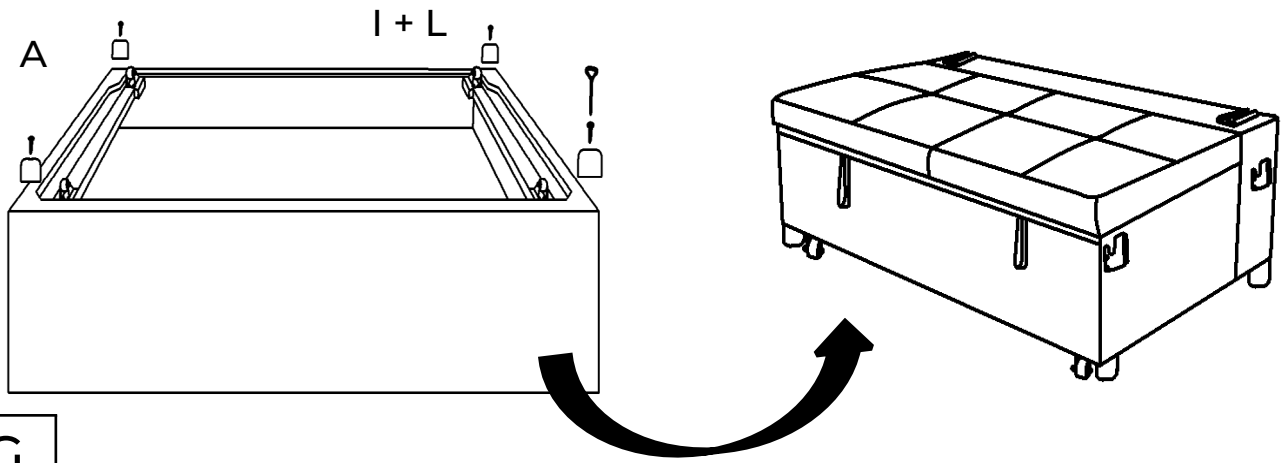
K



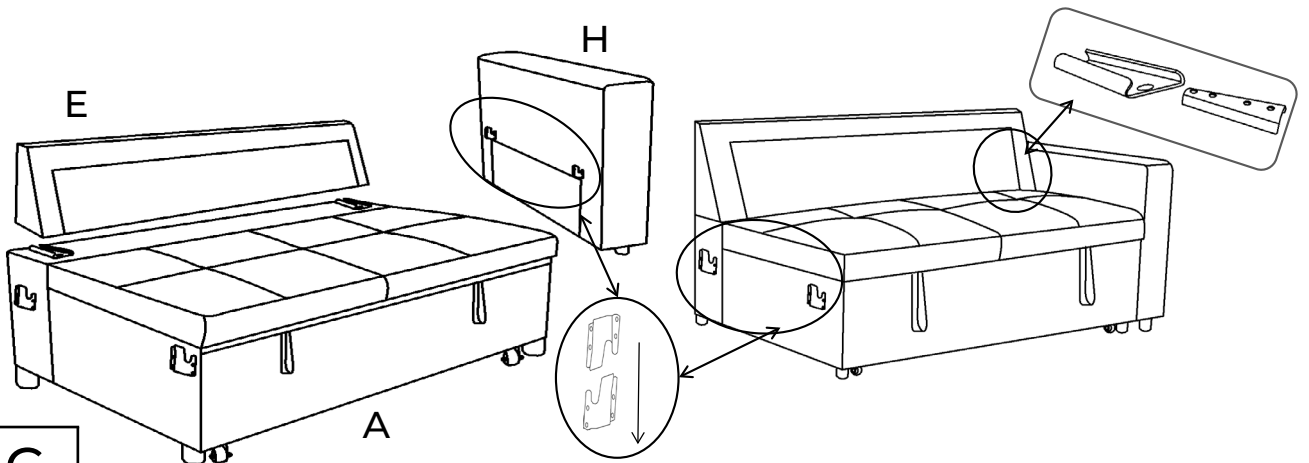
L

1 G

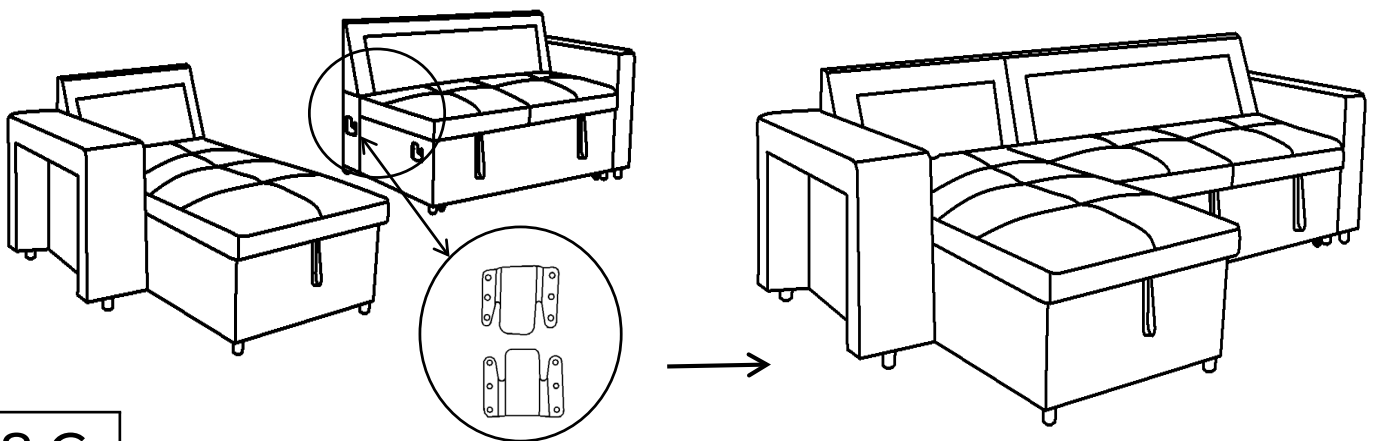




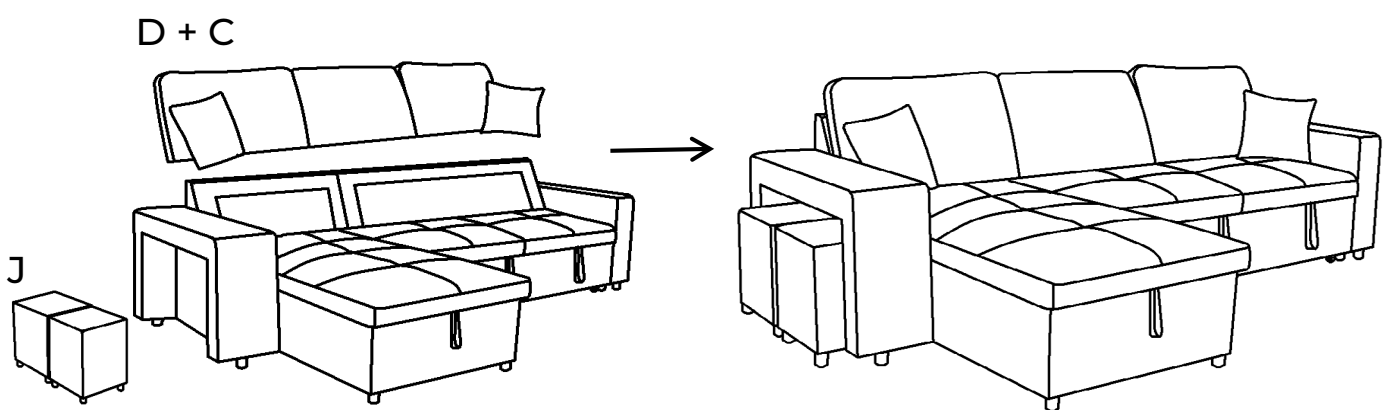
6 G



7 G



8 G



9 G