






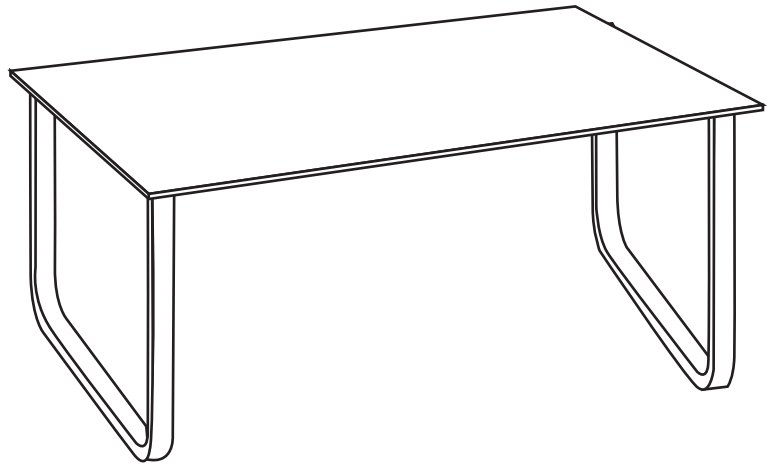
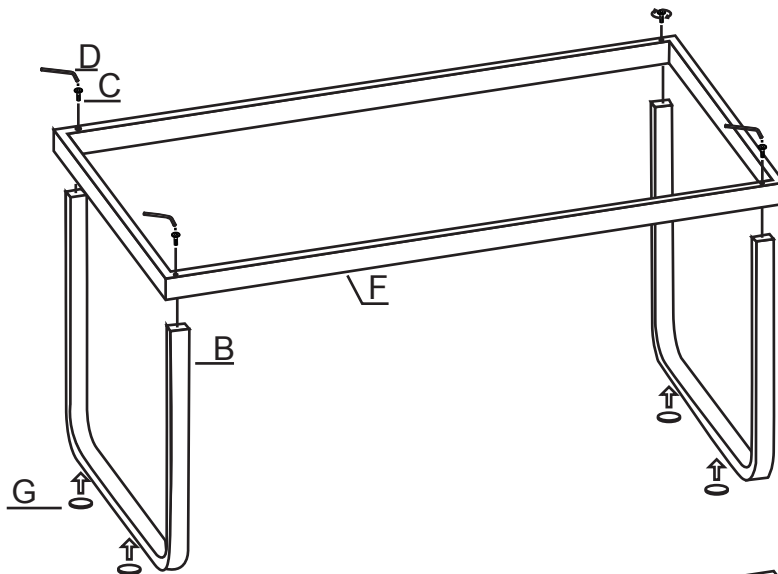


# ASSEMBLY INSTRUCTION

HARDWARE LIST			
NO.	PART	DESCRIPTION	Q'TY
A		top glass	1
B		leg	2
C		screw	4
D		allen key	1
E		non-slip mat	4
F		frame	1
G		sticker	4



step 1



step 2

