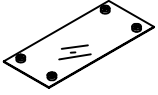
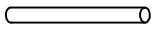


ASSEMBLING INSTRUCTION

1 X1PC



2 X4PCS



3 X4PCS



A X4PCS



B X4PCS



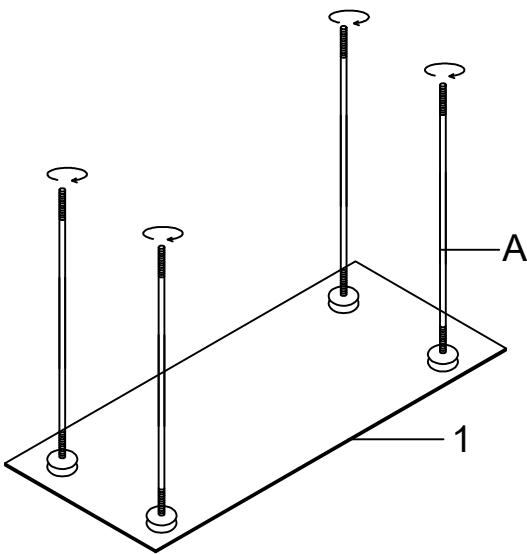
C X4PCS



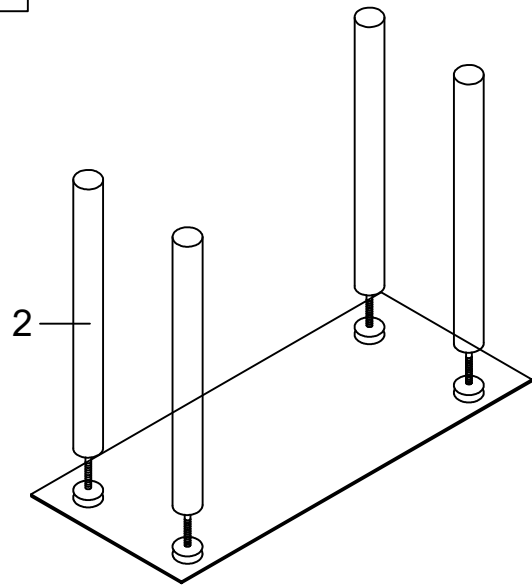
D X1PC



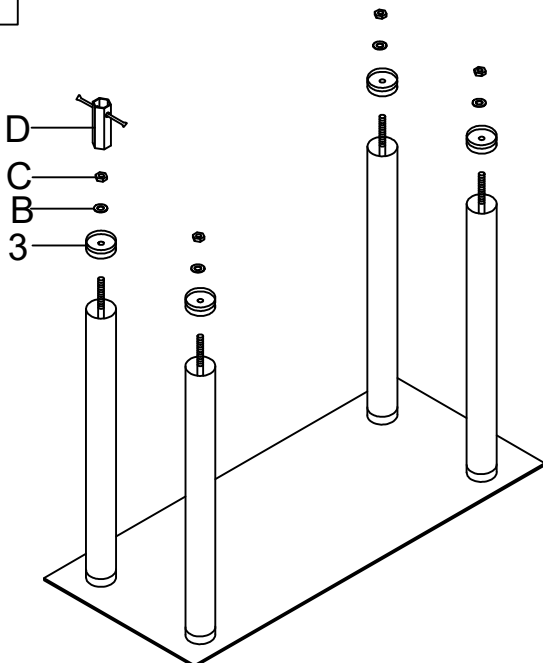
1



2



3



4

