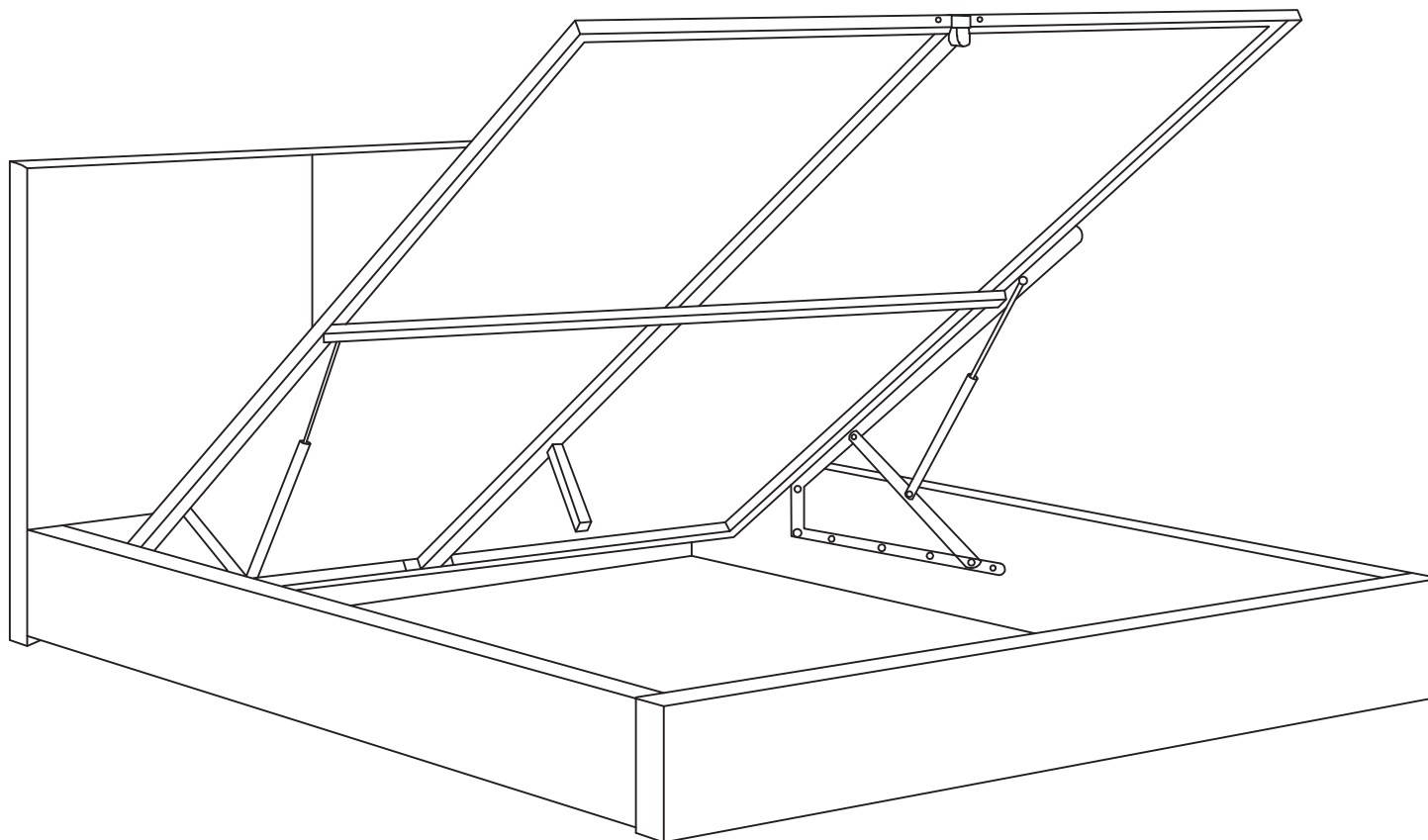
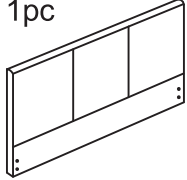
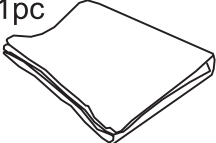
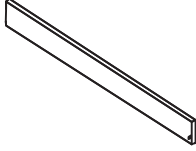

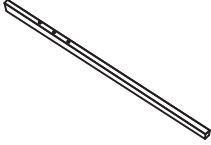
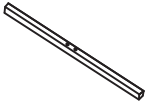

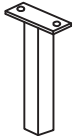
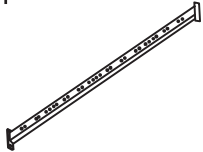

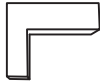

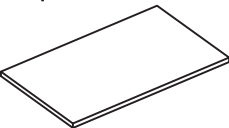
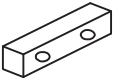
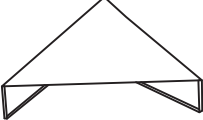
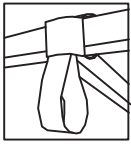
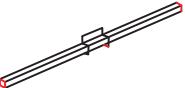
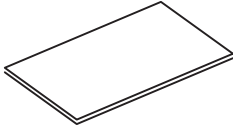















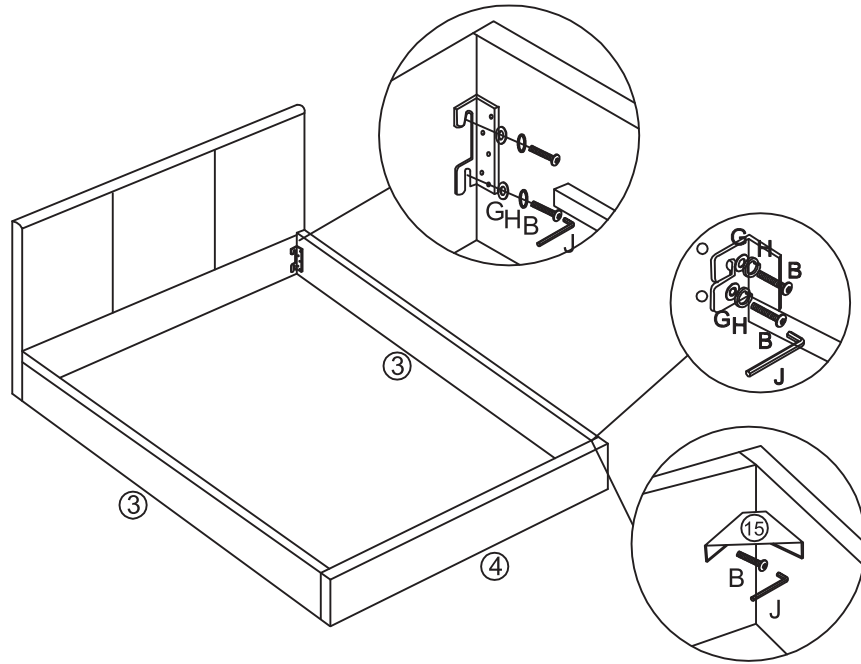
ASSEMBLY INSTRUCTIONS



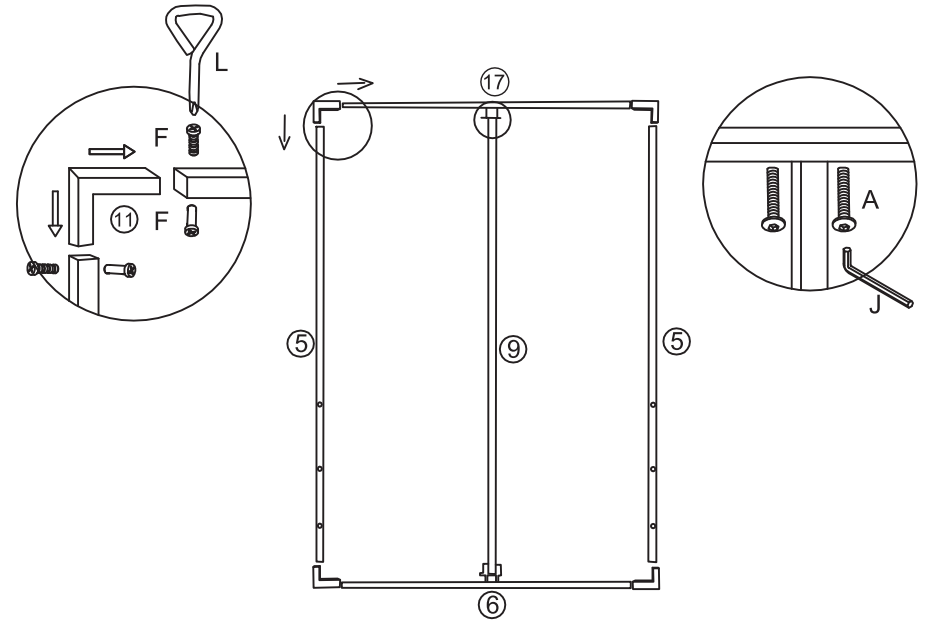
Parts List		
①. x 1pc 	②. non-woven fabric x 1pc 	③. x 2pcs 
④. x 1pc 	⑤. x 2pcs/184cm 	⑥. x 1pc/85cm 
⑦. x 2pcs 	⑧. x 1pc 	⑨. x 1pc/184cm 
⑩. x 4pcs 	⑪. x 4pcs 	⑫. x 1pc 
⑬. x 1pcs 	⑭. x 1pc 	⑮. x 2pcs 
⑯. x 1pc 	⑰. x 1pc/85cm 	⑱. x 1pcs 

Hardware List			
REF		HARDWARE NAME	QTY
A		M8 x 20 BOLT	4pcs
B		M8 x 30 BOLT	27pcs
C		M8 x 45 BOLT	11pcs
D		M8 x 70 BOLT	2pcs
E		BOLT	4pcs
F		M6 x 20 BOLT	8pcs
G		FLAT WASHER	8pcs
H		SPRING WASHER	8pcs
I		NUT	10pcs
J		ALLEN KEY	1pc
K		OPEN SPANNER	1pc
L		ALLEN KEY	1pc
M		M4 x 40 BOLT	4pcs
			2

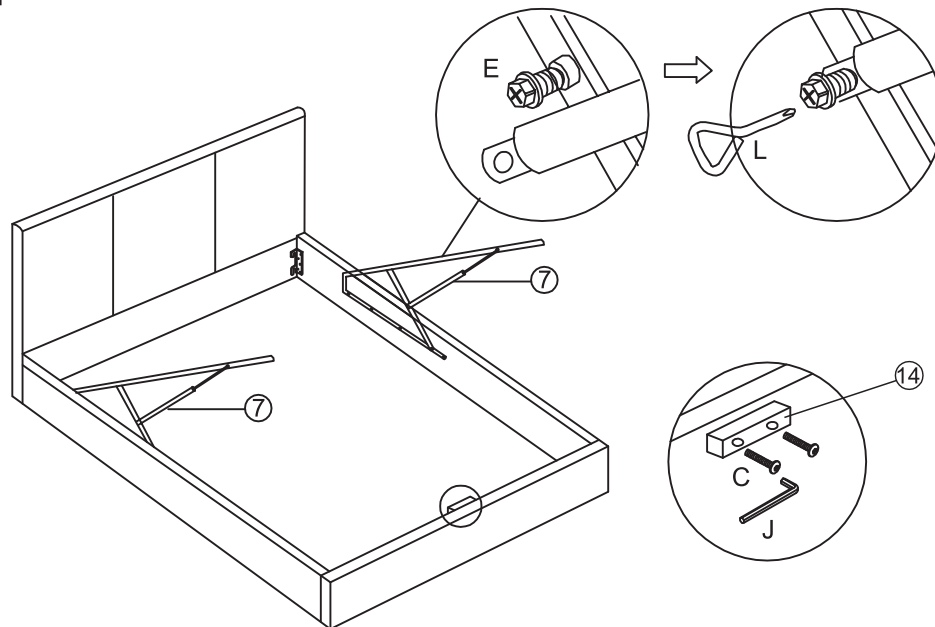
Step 1



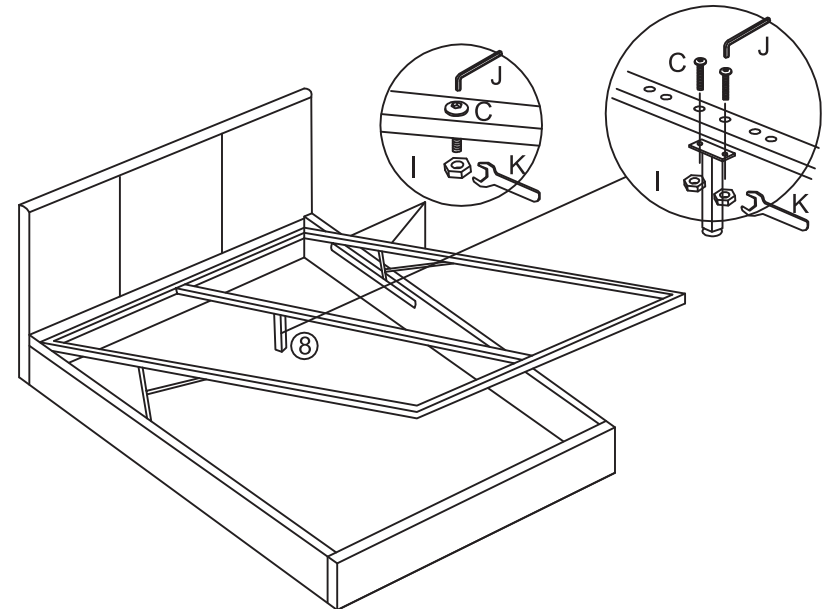
Step 2



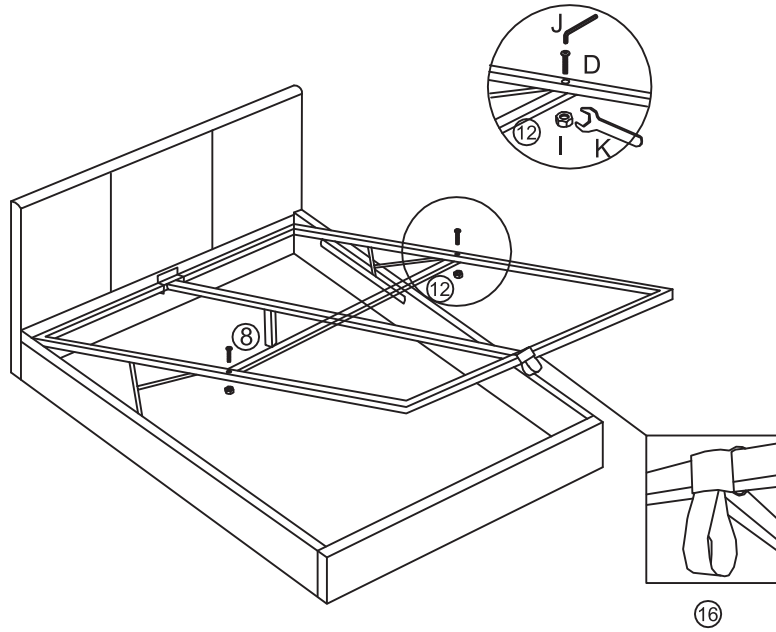
Step 3



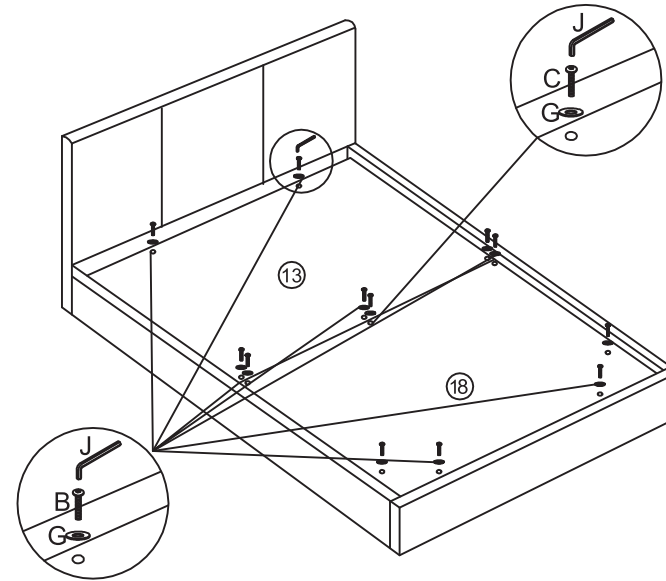
Step 4



Step 5

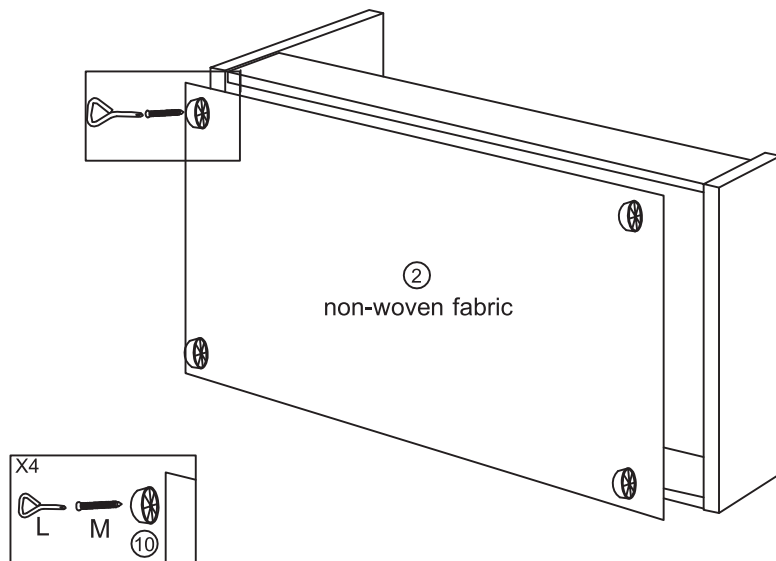


Step 6

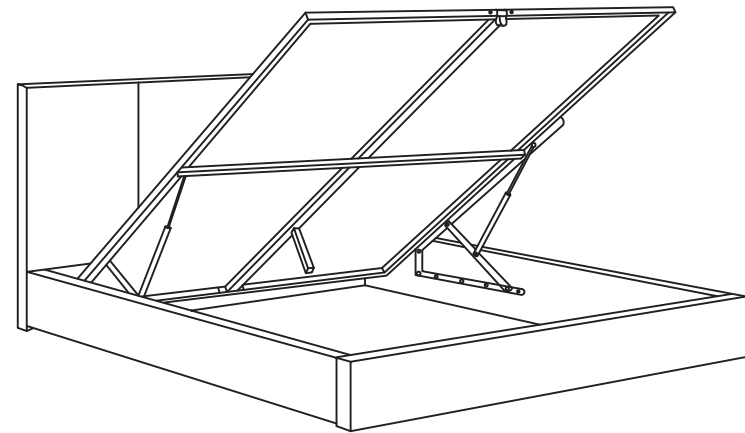


4

Step 7



Step 8



4