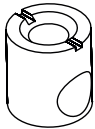






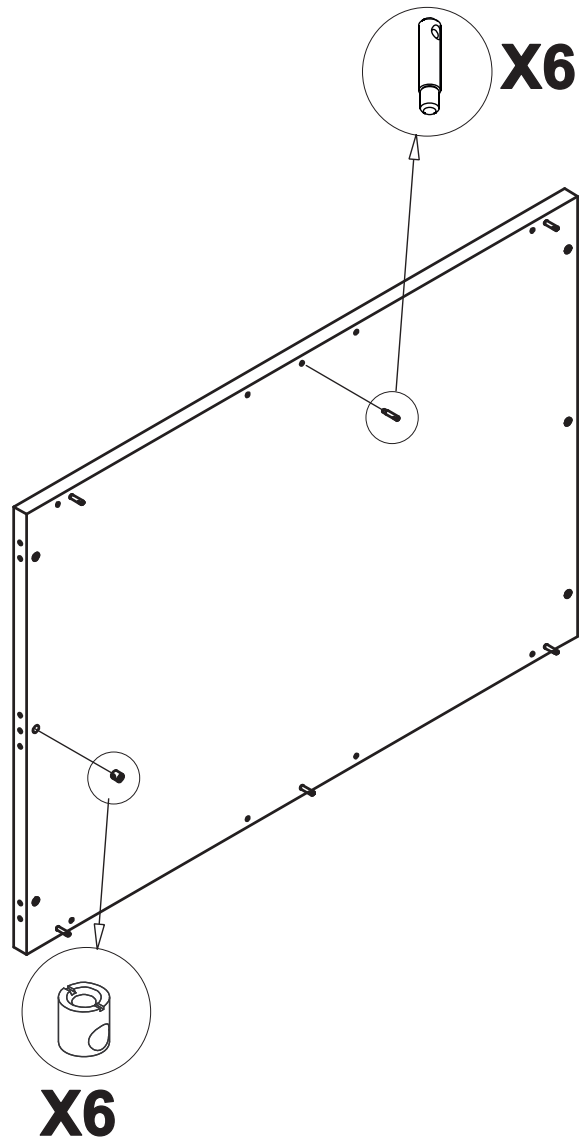
<b>A</b>	<b>Piana Top - Dessus</b>	<b>(1)</b>
<b>B</b>	<b>Fascia piana</b>	<b>(2)</b>
<b>C</b>	<b>Fascie per lungo</b>	<b>(2)</b>
<b>D</b>	<b>Fascie per traverso</b>	<b>(2)</b>
<b>E</b>	<b>Gamba dx Leg droite - Right pied</b>	<b>(1)</b>
<b>F</b>	<b>Gamba sx Leg gauche - Left pied</b>	<b>(1)</b>

# TABLE EVA - VITTORIA

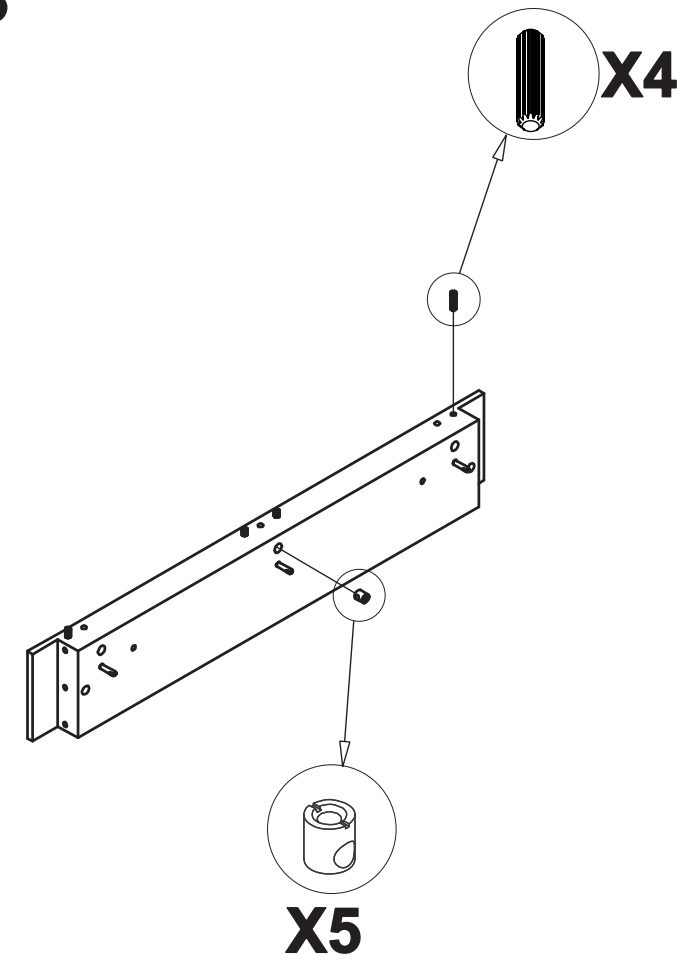
1 	2 	3 
40	40	44
4 	5 	
10	20	

PRE MONTAGGIO  
PRE ASSEMBLY  
PRE MONTAGE

# Part.A

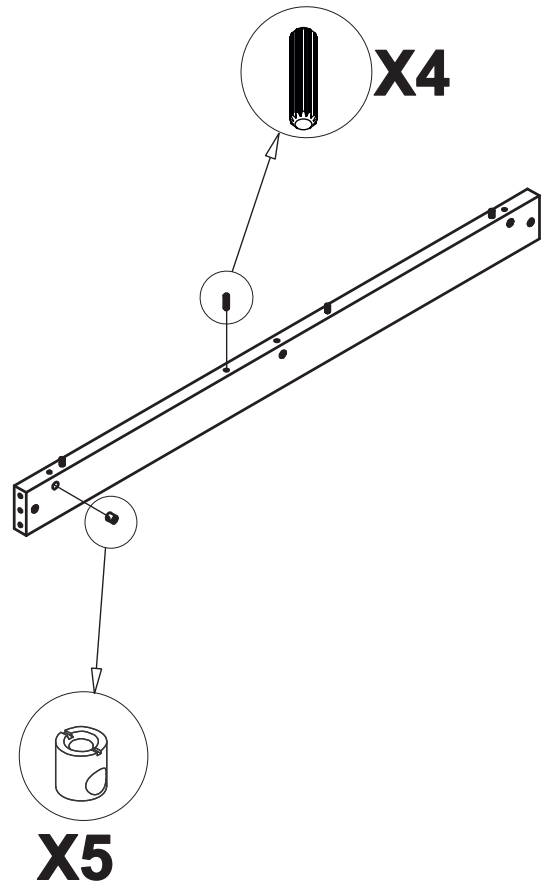


# Part.B

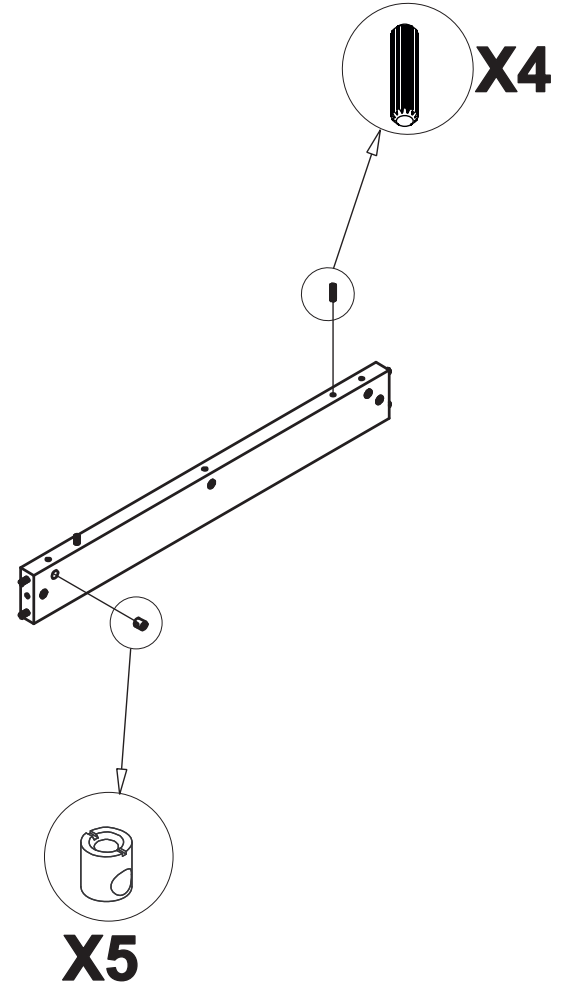


PRE MONTAGGIO  
PRE ASSEMBLY  
PRE MONTAGE

# Part.C

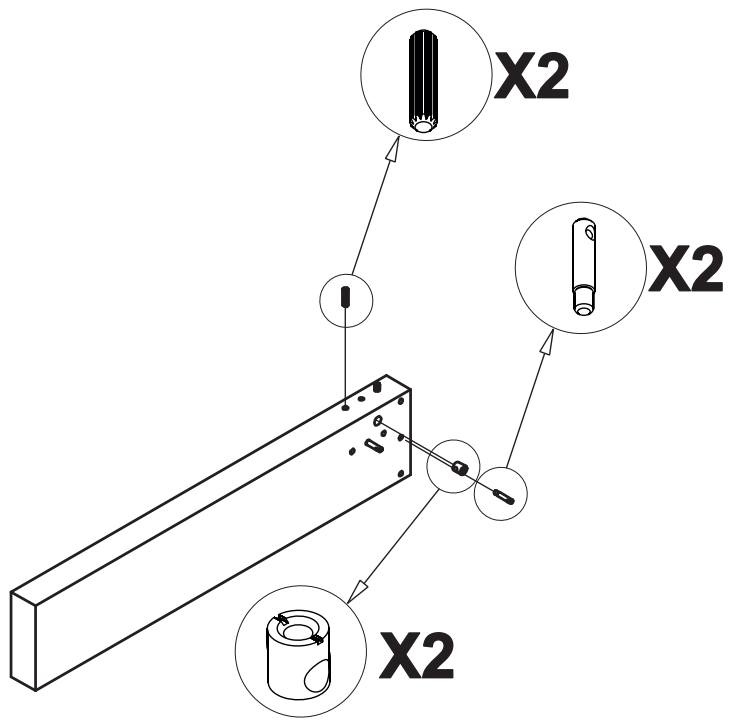


# Part.D

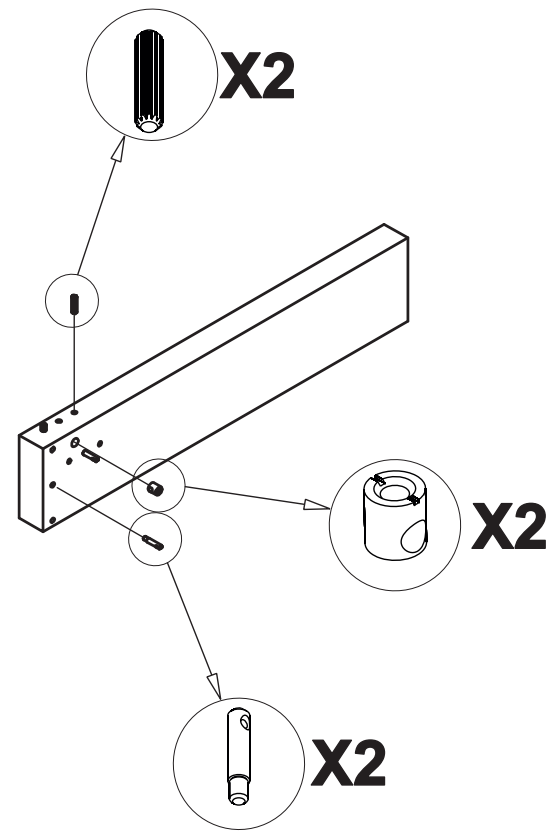


PRE MONTAGGIO  
PRE ASSEMBLY  
PRE MONTAGE

# Part.E

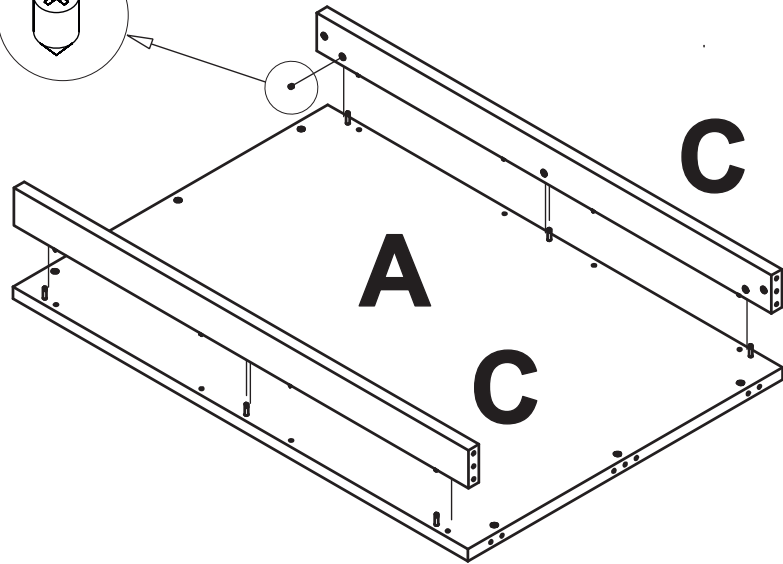
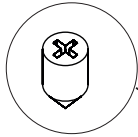


# Part.F



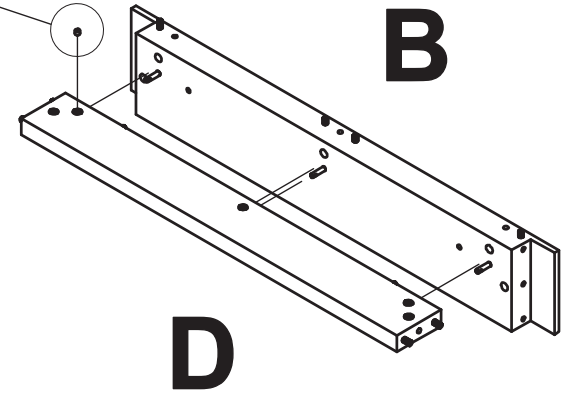
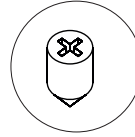
1

X2

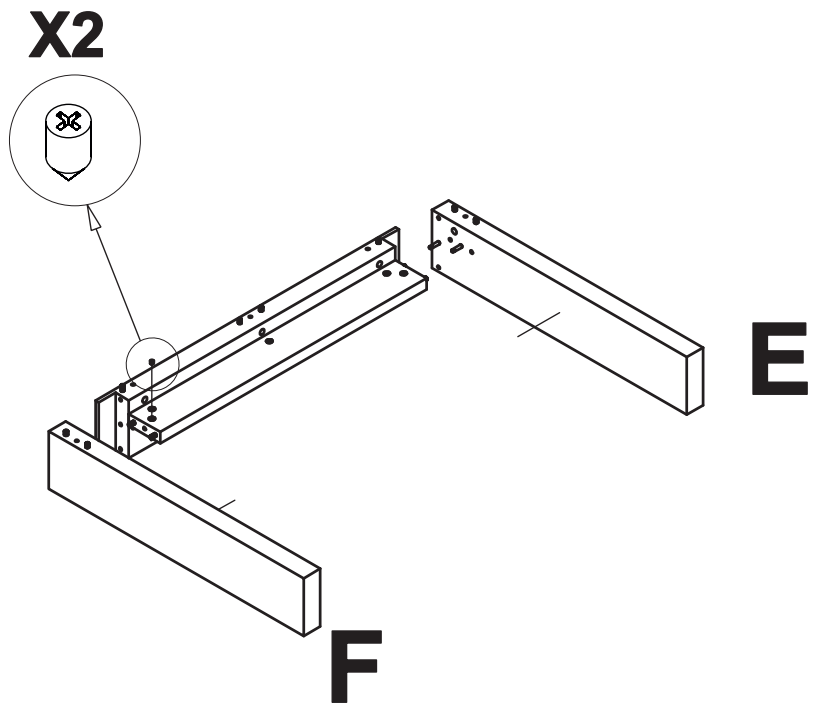


2

X2



3



4

