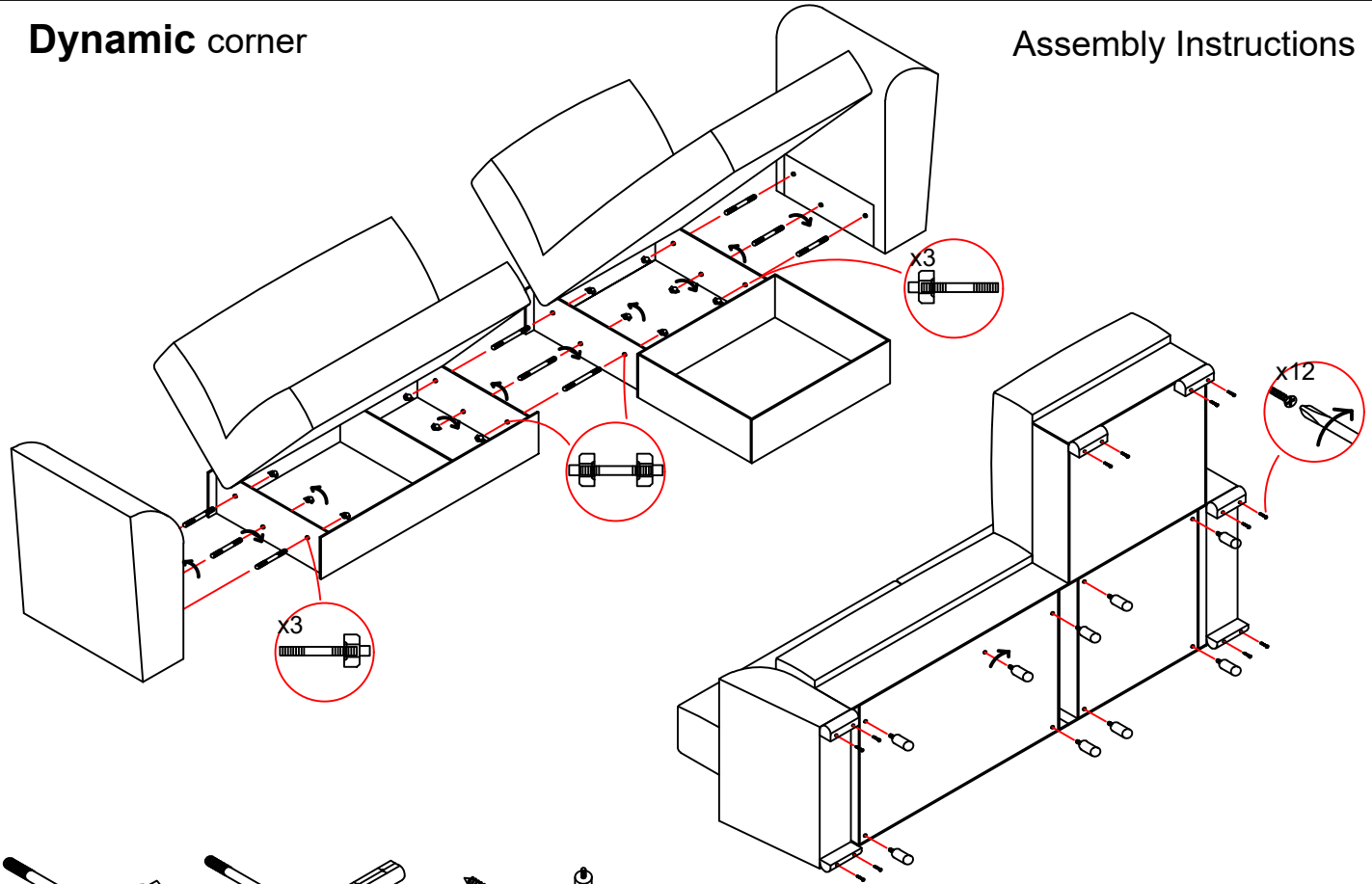



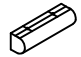



Dynamic corner

Assembly Instructions



- x6 
- x12 
- x3 
- x6 
- x12 
- x9 