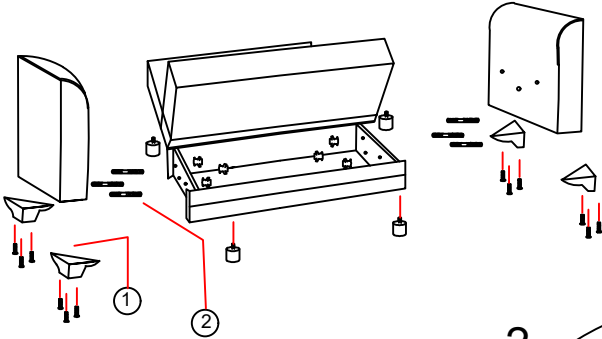
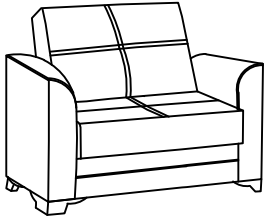







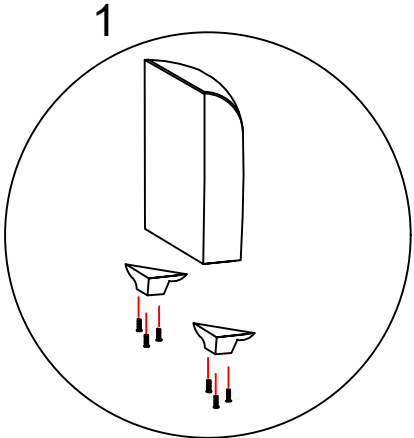
DREAM ARM CHAIR

ASSEMBLY INSTRUCTIONS

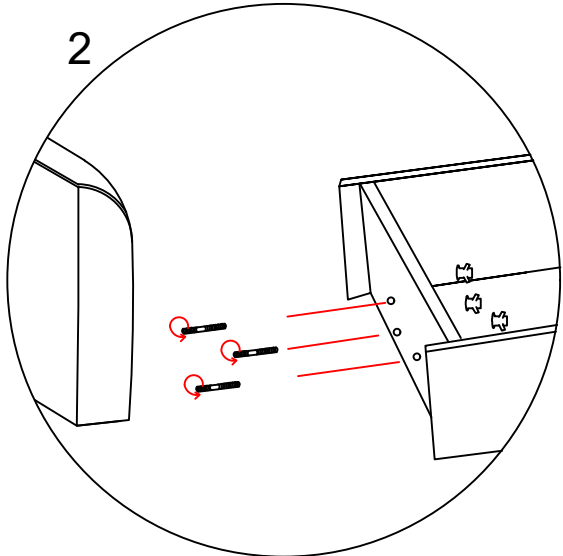


HARDWARE PACKAGE CONTENT

-  SUPPORTING LEG (4)
-  LEG (4)
-  SCREW (6)
-  WINGNUT (6)
-  SCREW (12)



HOW TO ASSEMBLE LEGS



HOW TO ASSEMBLE ARMS