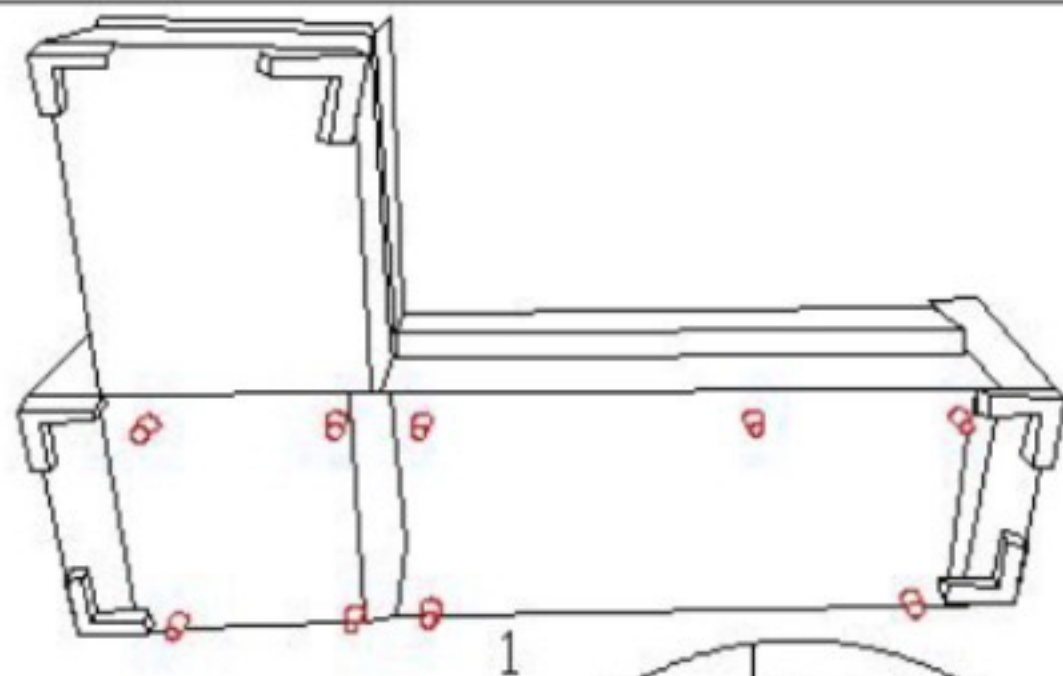
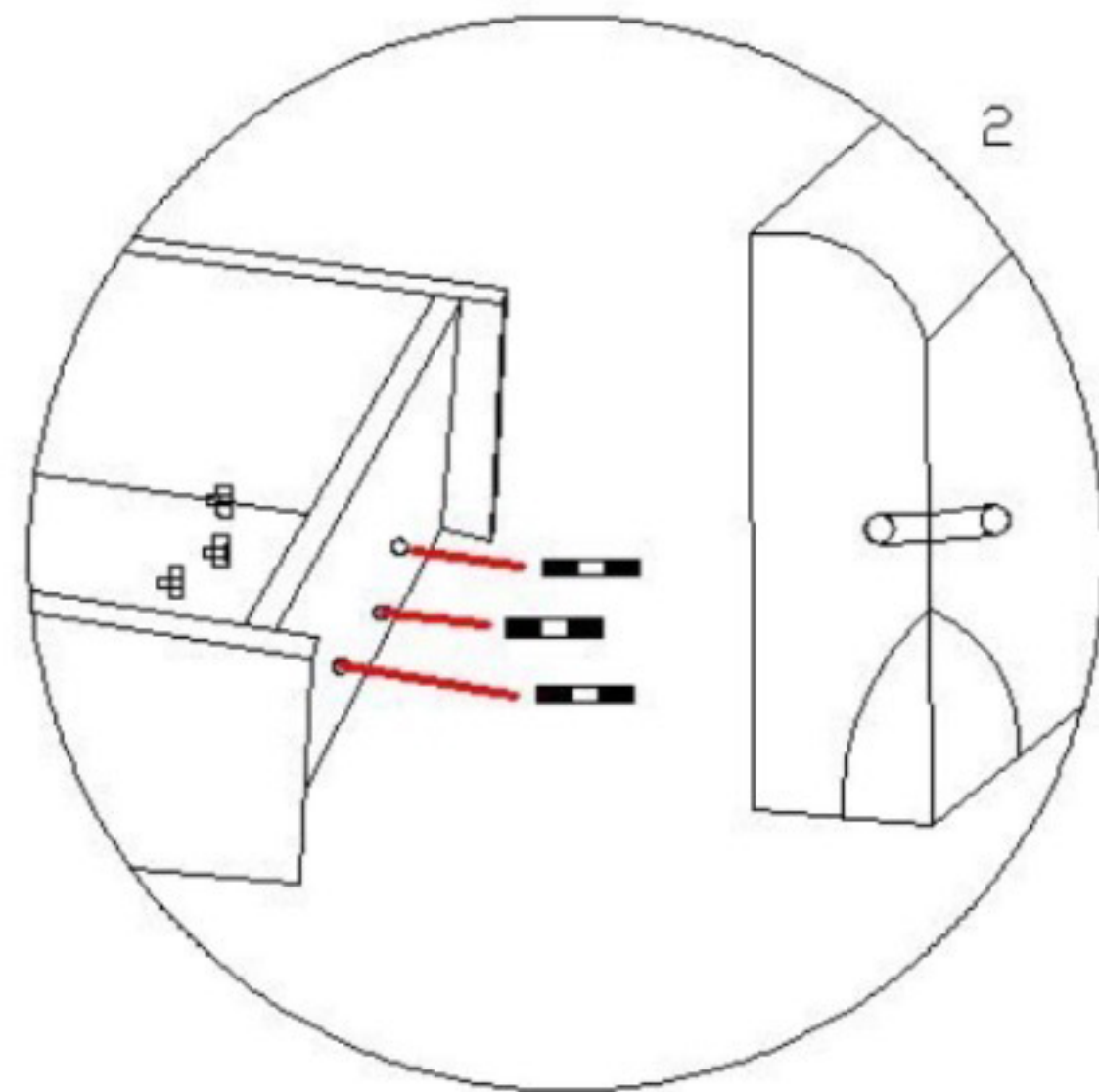
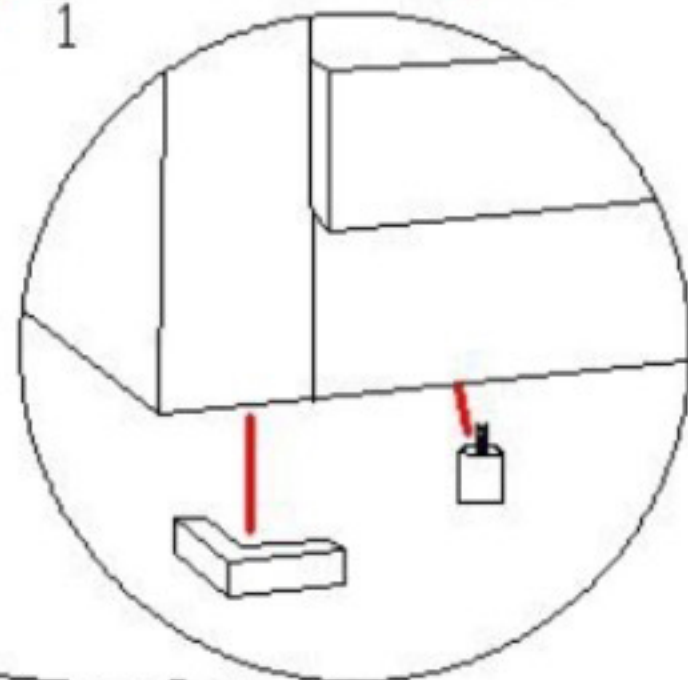
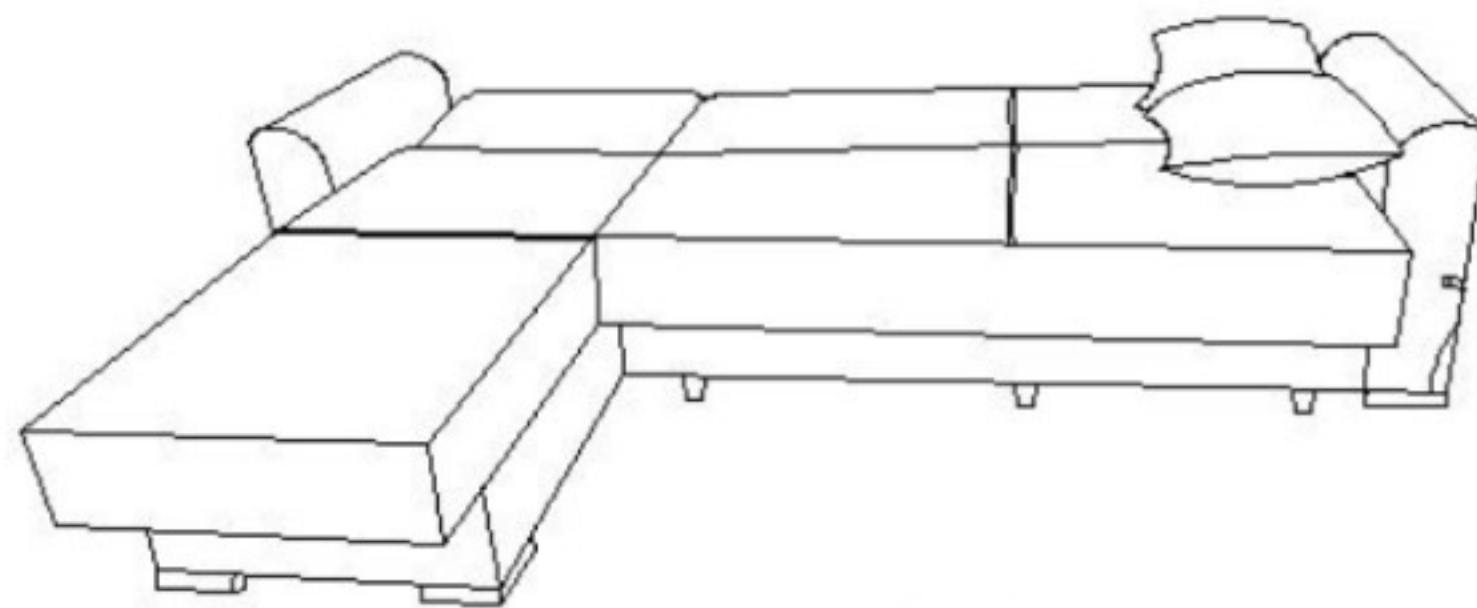


FELIPE CORNER

ASSEMBLY INSTRUCTIONS



BED DIMENSION



HARDWARE PACKAGE CONCENT

- | | | |
|---|-----|--------------------|
|  | --- | SUPPORTING LEG (9) |
|  | --- | LEG (6) |
|  | --- | SCREW (3) |
|  | --- | SCREW (6) |
|  | --- | WINGNUT (12) |
|  | --- | SCREW (18) |

