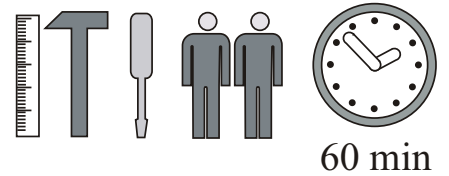
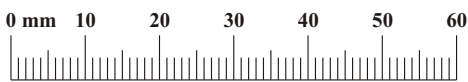
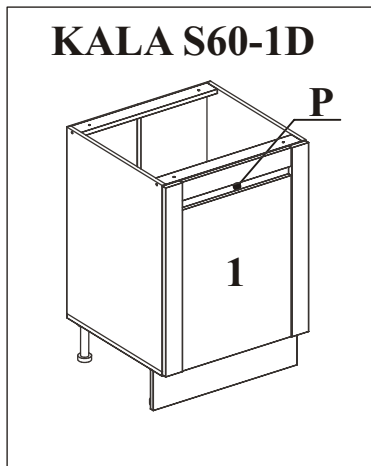
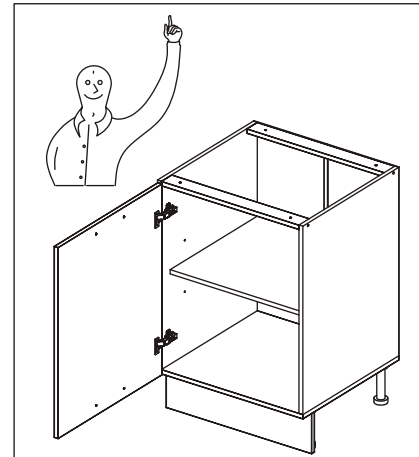
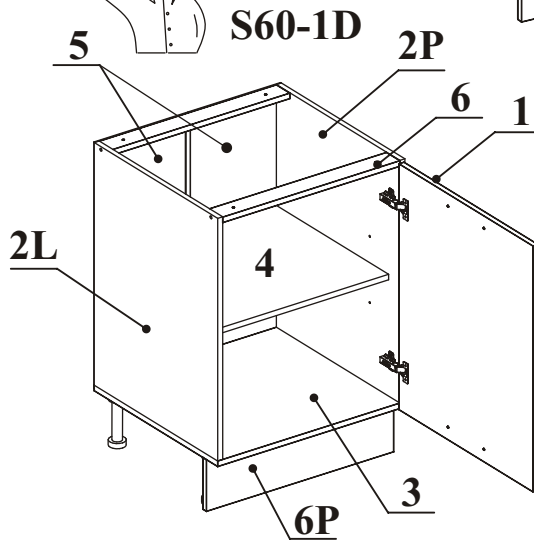
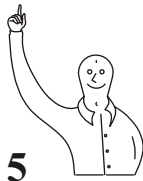
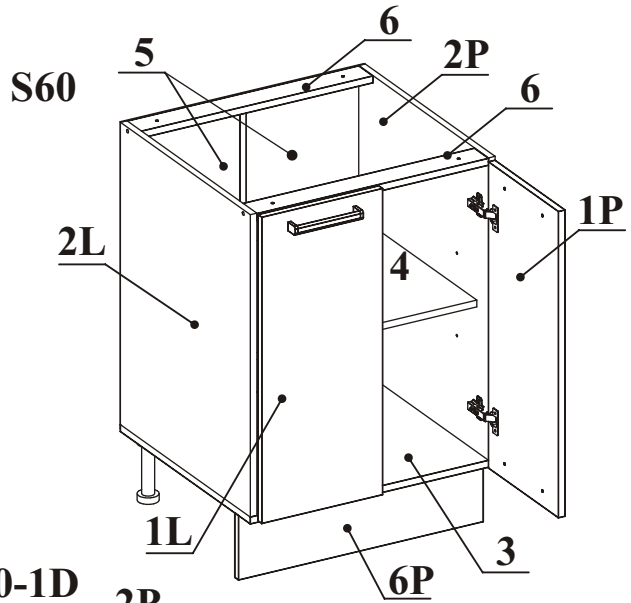
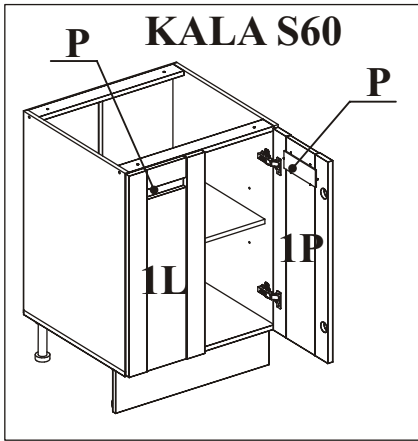
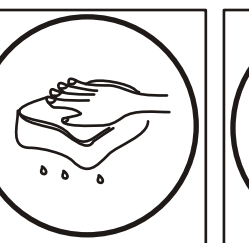
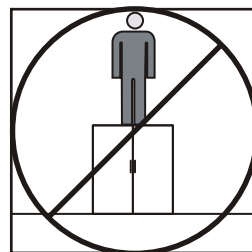
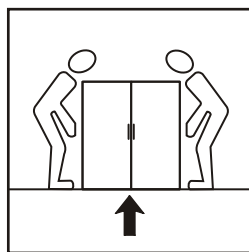
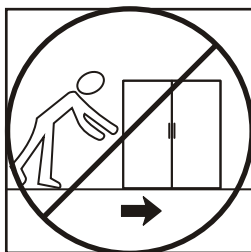
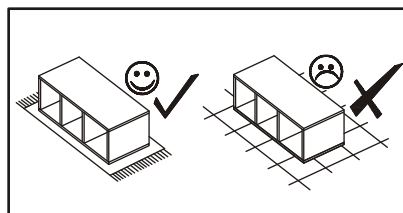
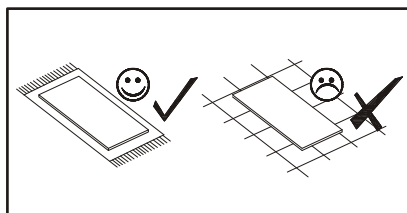
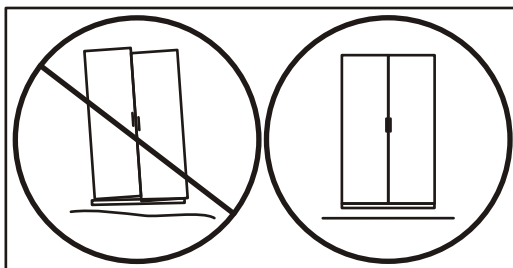
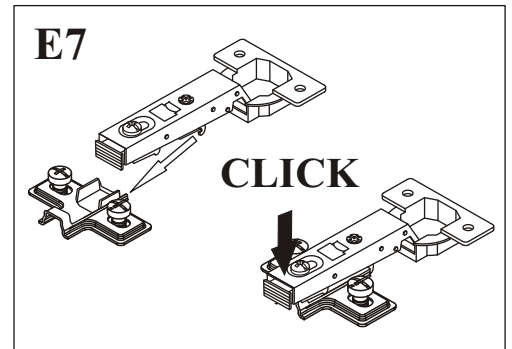
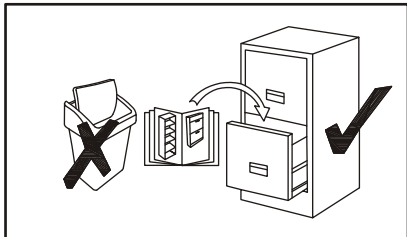
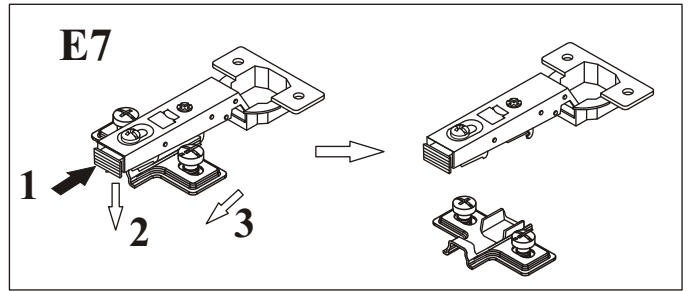
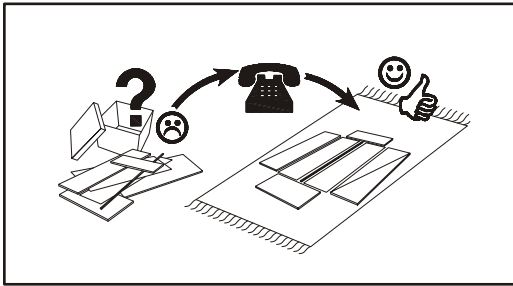


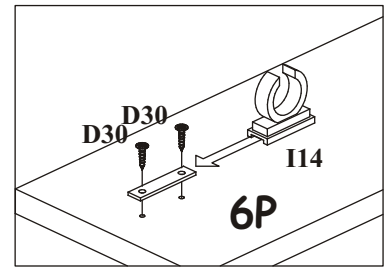
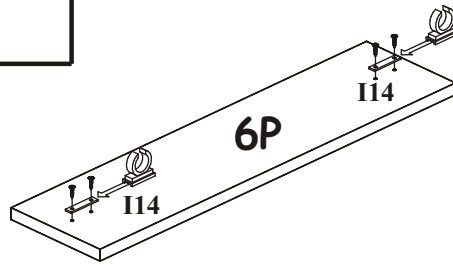
# LEXUS S60, S60-1D



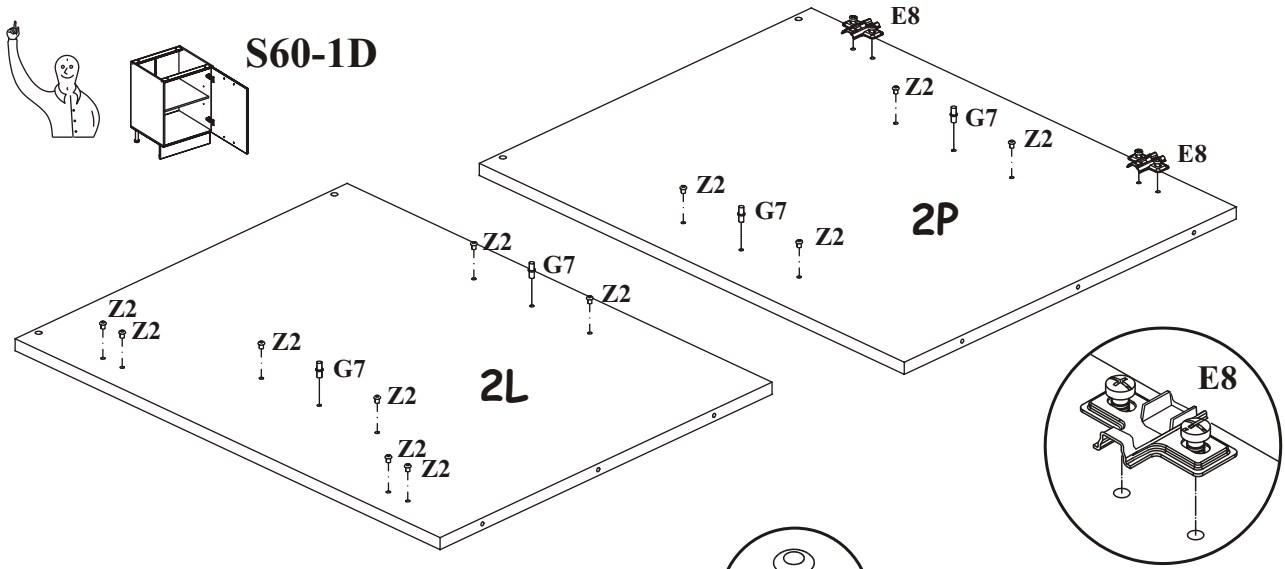
<b>E7</b> D60 x 4 D60-1D x 2		<b>E8</b> D60 x 4 D60-1D x 2		<b>B11</b> X10	 Ø7x50	<b>G4</b> X10		<b>D10</b> X8	 USØ3,5x13	<b>D30</b> X20	 USØ3,5x16
<b>I13</b> X4	 L-150 mm.	<b>I14</b> X2		<b>UP13</b> X22	 UPØ3x16	<b>G2</b> X1		<b>Z2</b> X16	 Ø5	<b>G7</b> X4	
<b>*</b> D60 x 2 D60-1D x 1	 L-160mm !!! KALA ; ZOBAL=0	<b>G8</b> X1		<b>UP6</b> X4	 UPØ4x30	<b>G3</b> KALA, ZOBAL X4	 Ø35	<b>G9</b> KALA S60-1D-x6 S60-x12	 KALA-COLI 2	<b>D7</b> KALA S60-1D-x6 S60-x12	 USØ3x16 KALA-COLI 2



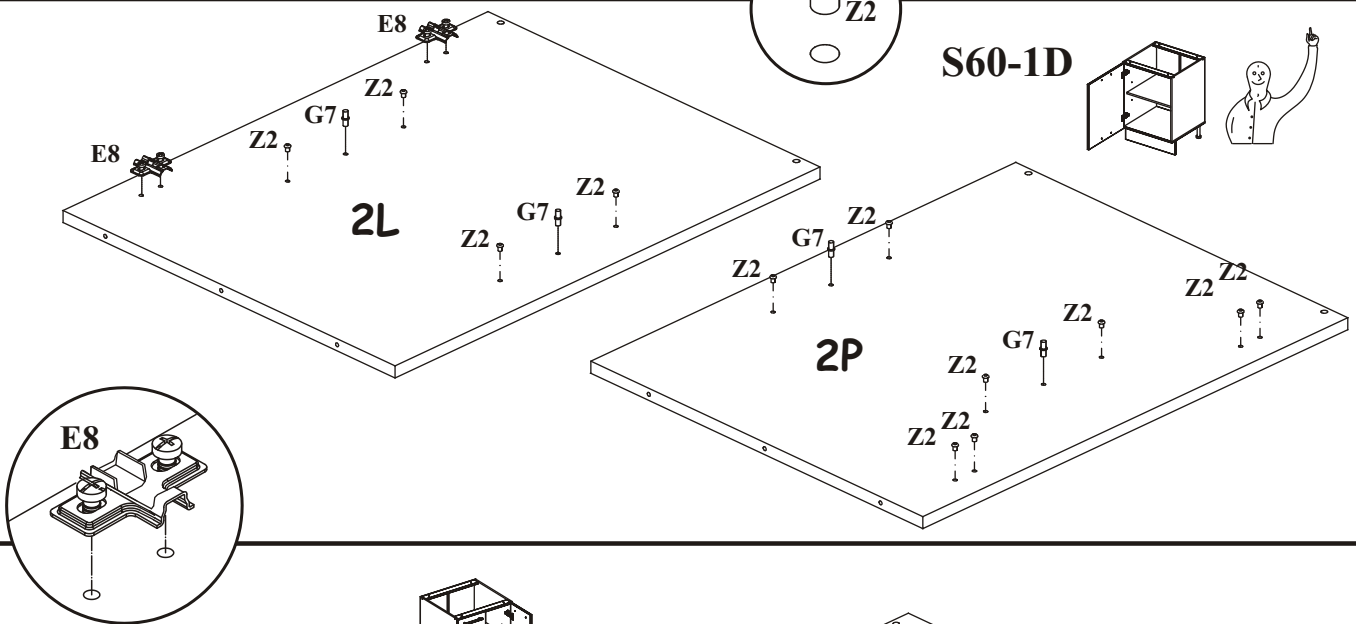
1



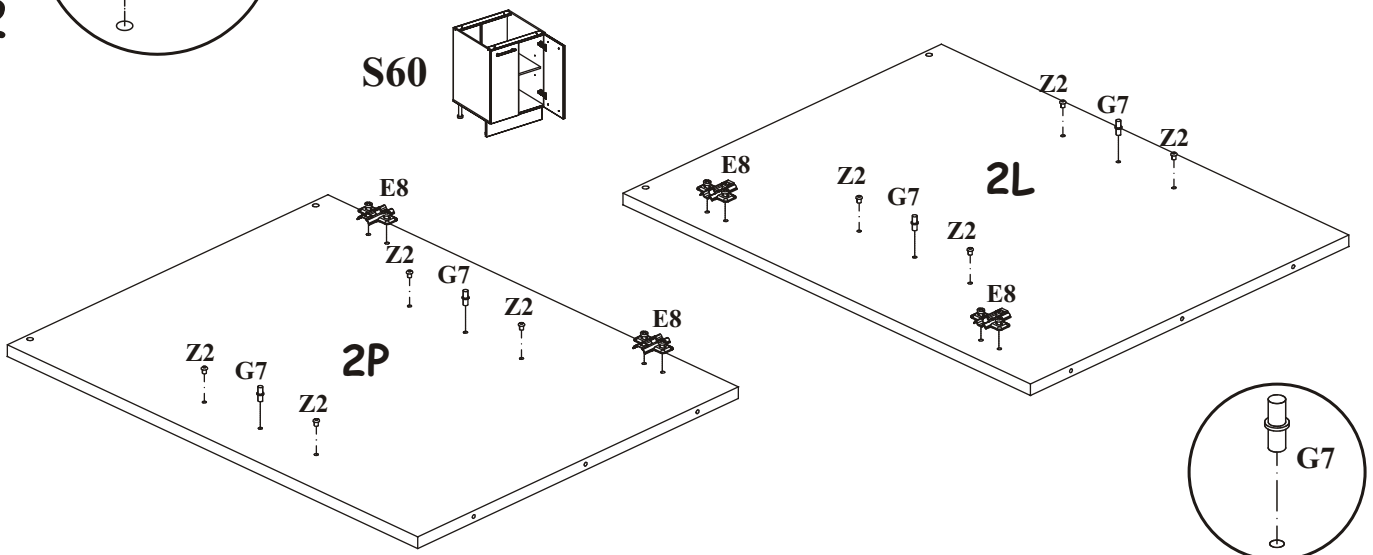
2



2



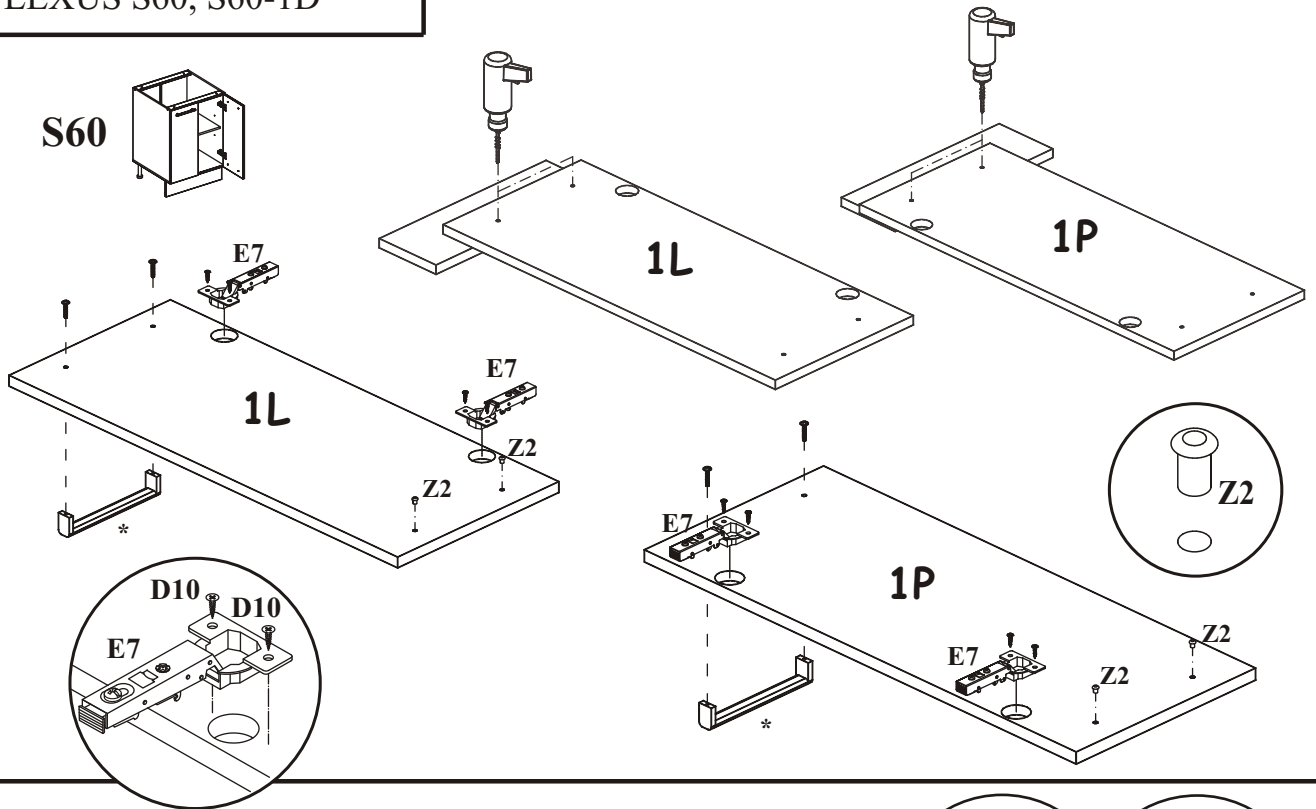
2



LEXUS S60, S60-1D

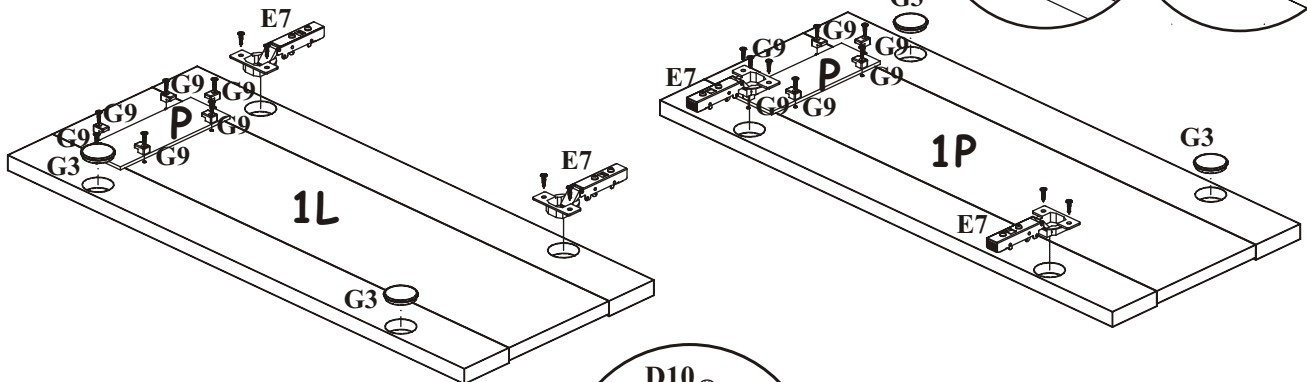
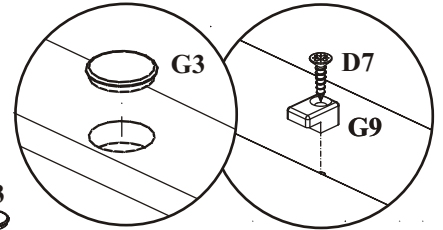
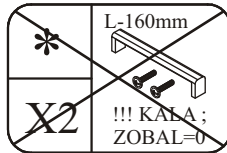
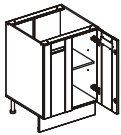
3

S60



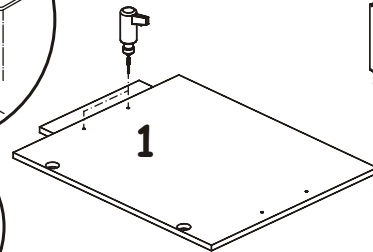
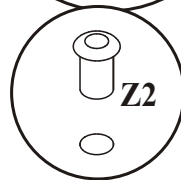
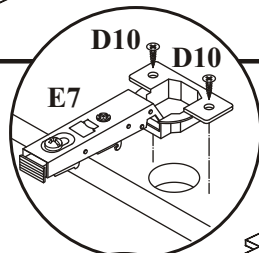
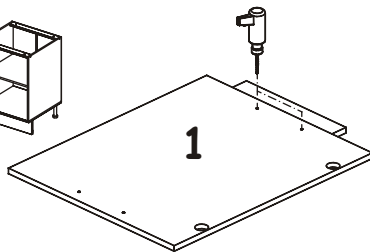
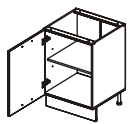
3

KALA S60

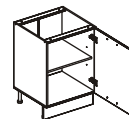


3

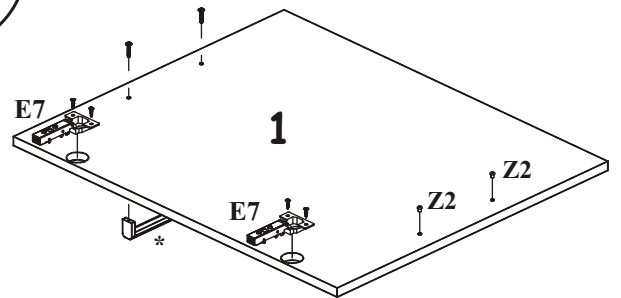
S60-1D



S60-1D



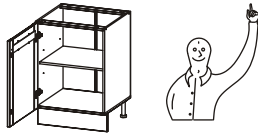
3



LEXUS S60, S60-1D

3

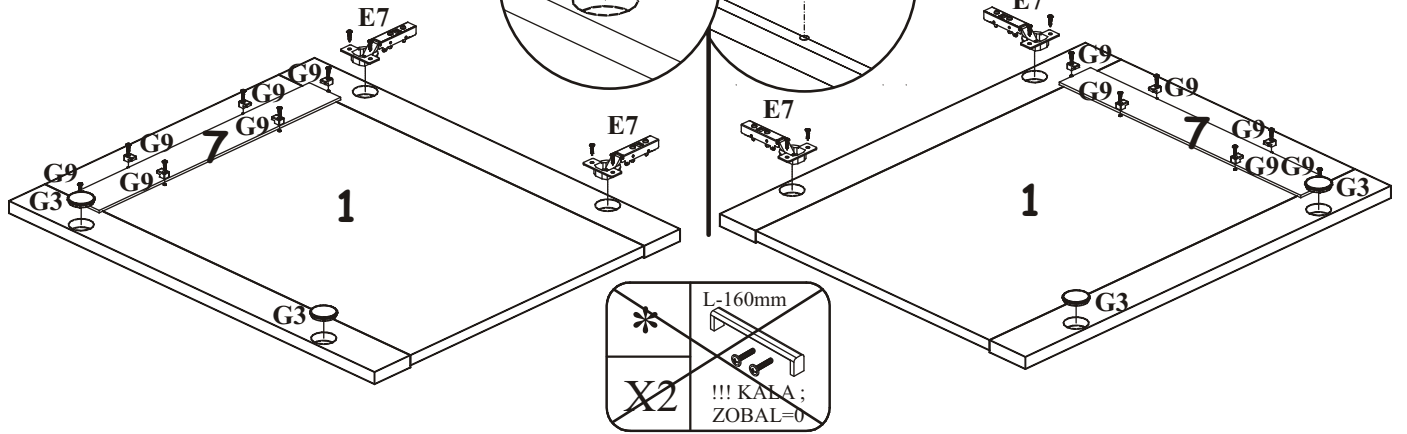
3



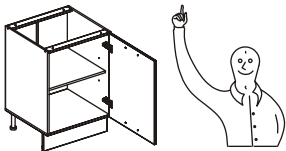
KALA S60-1D



KALA S60-1D



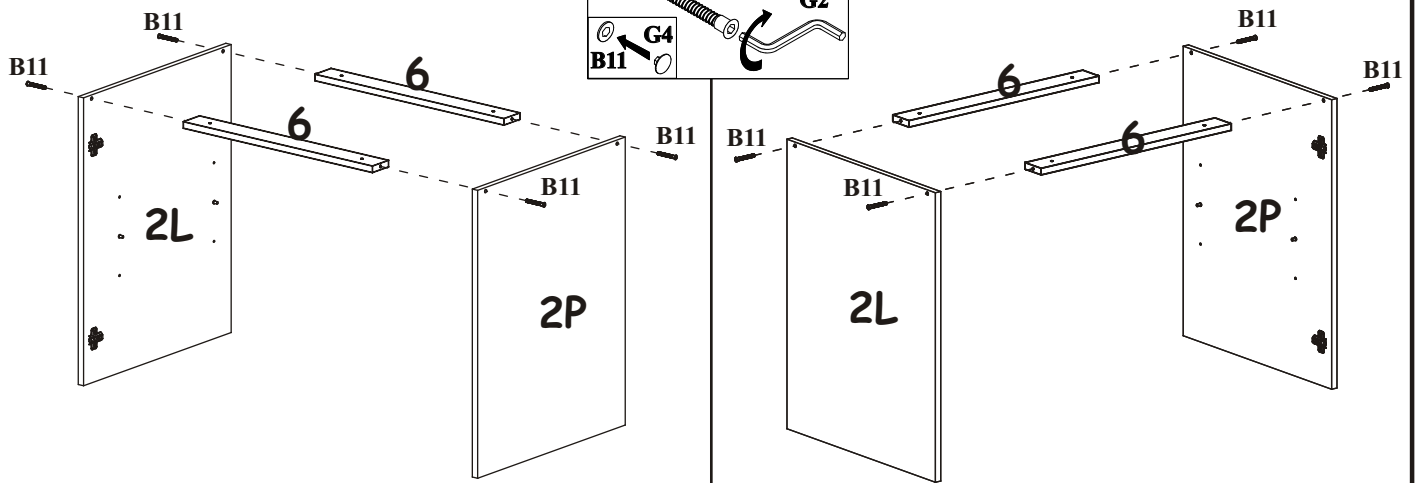
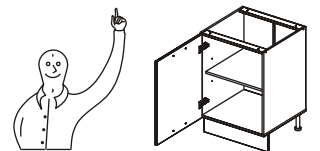
4



S60-1D

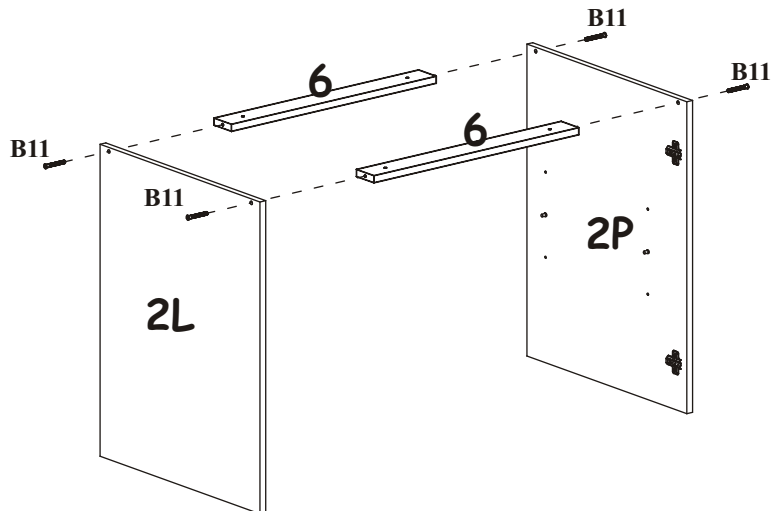
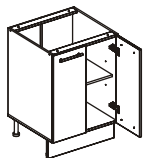
4

S60-1D



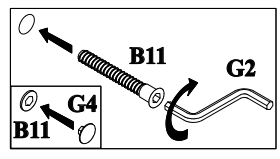
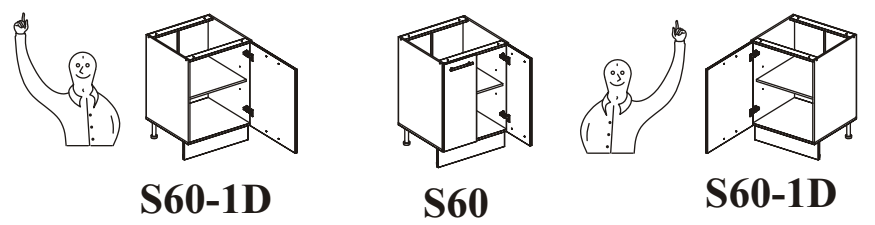
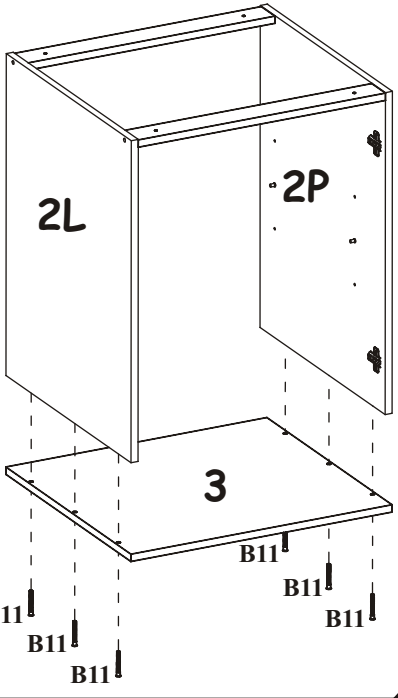
4

S60

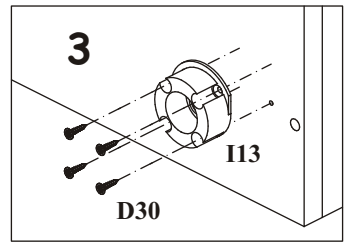
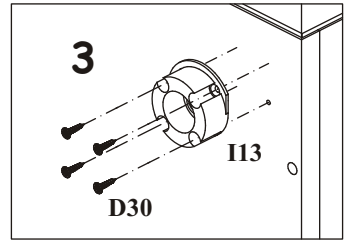
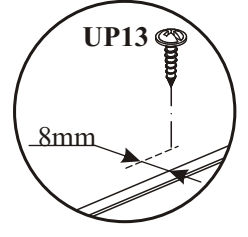
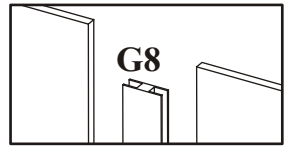
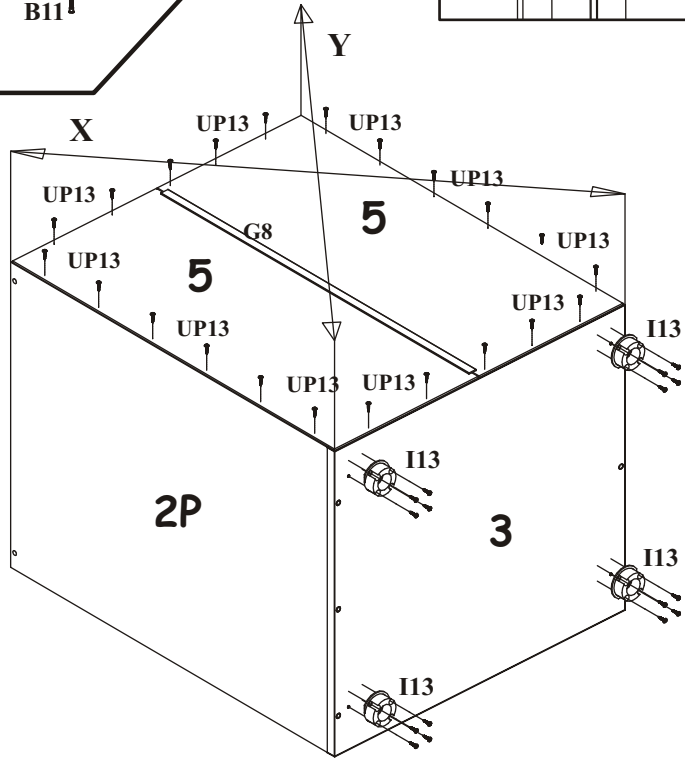
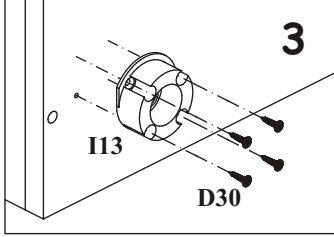
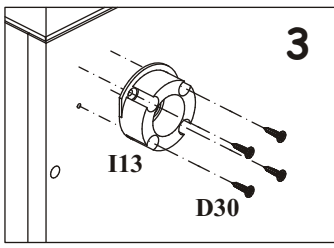


LEXUS S60, S60-1D

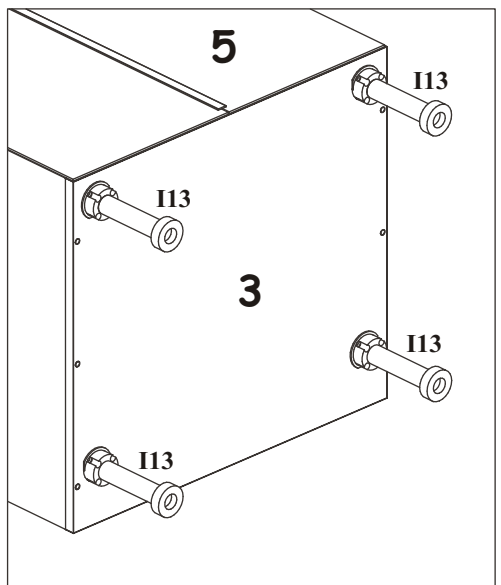
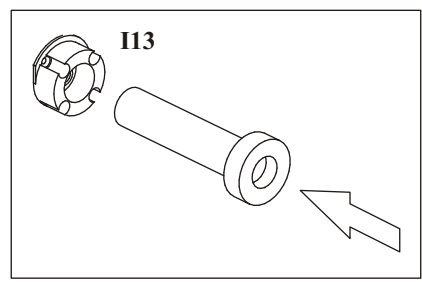
5



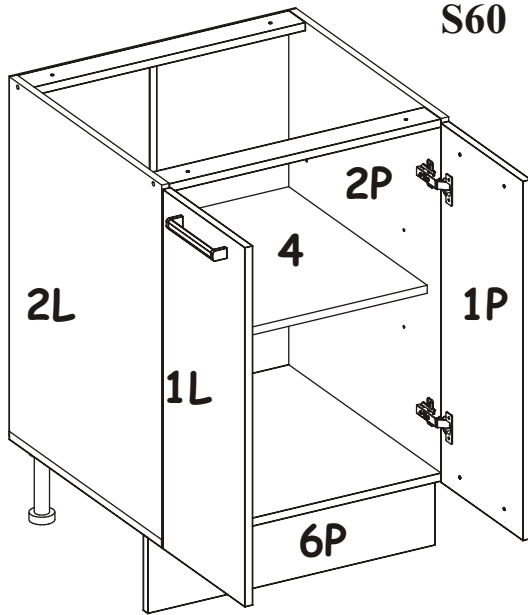
6



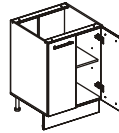
7



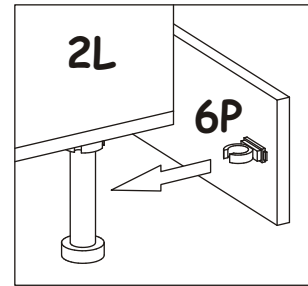
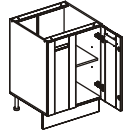
8



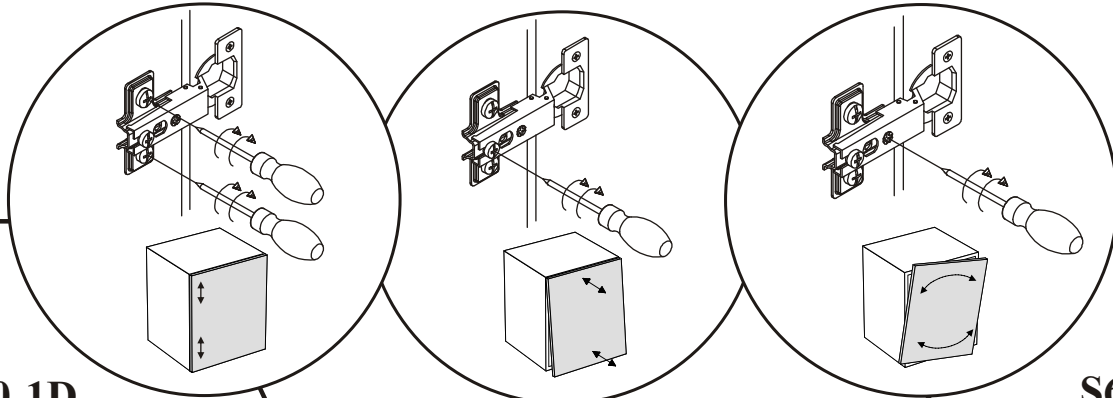
S60



KALA S60

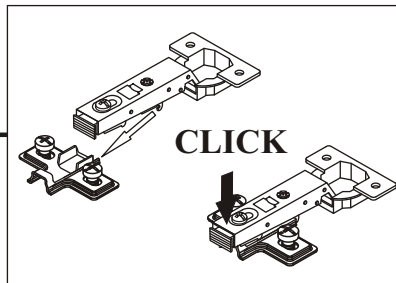
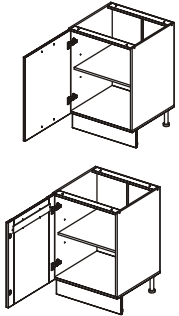


8

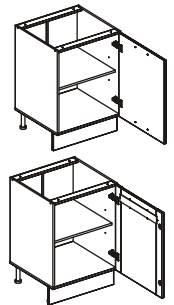


8

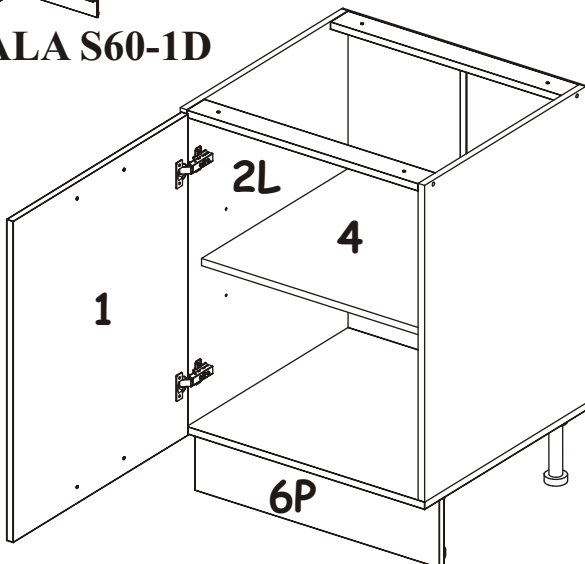
S60-1D



S60-1D



KALA S60-1D



KALA S60-1D

