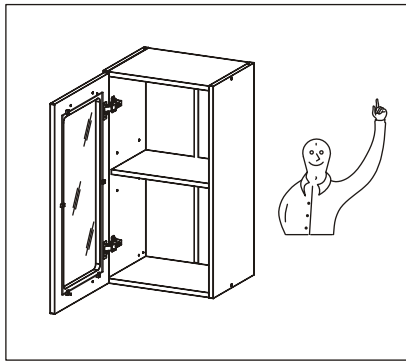
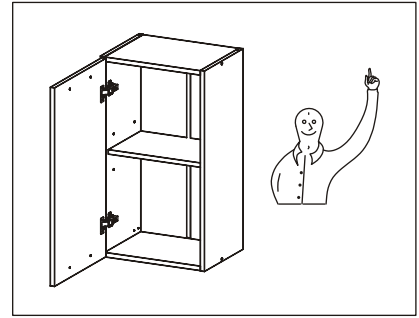
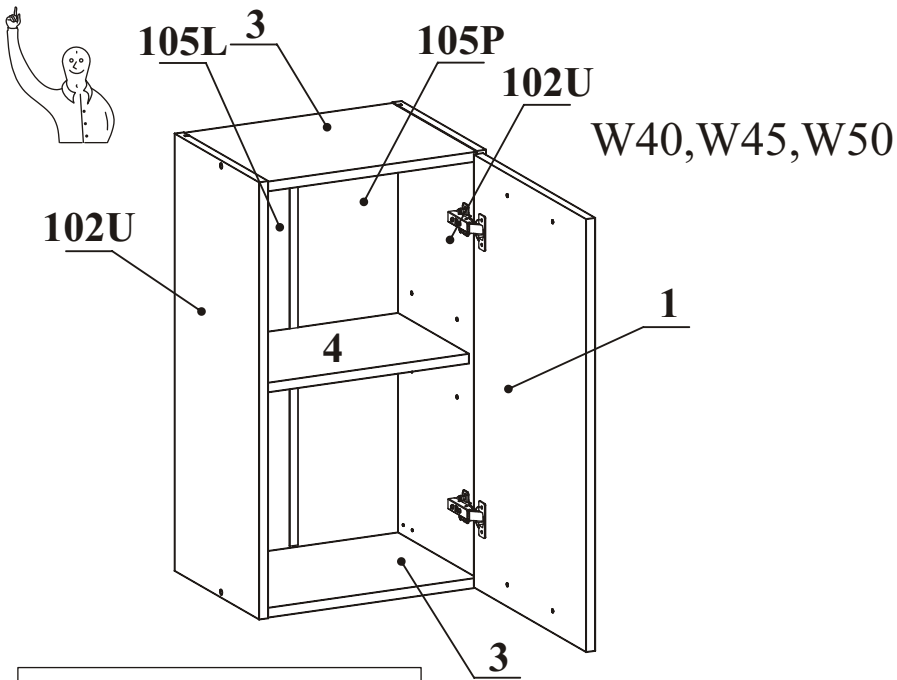
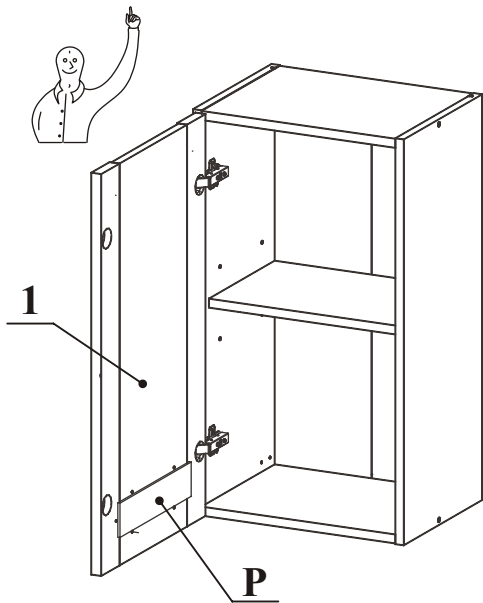
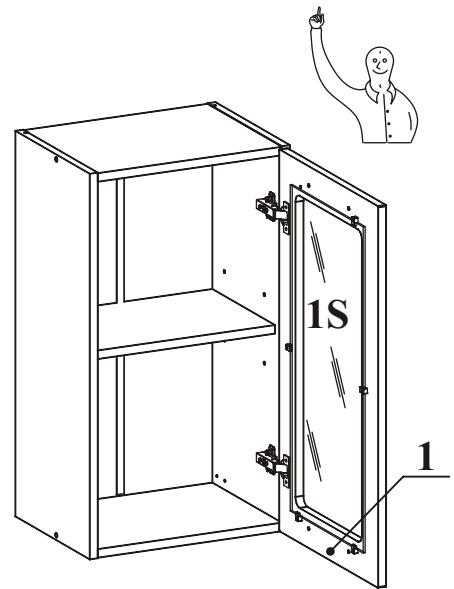


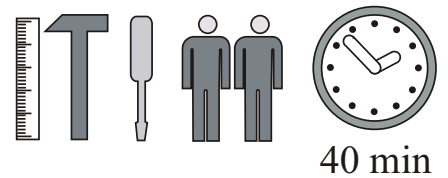
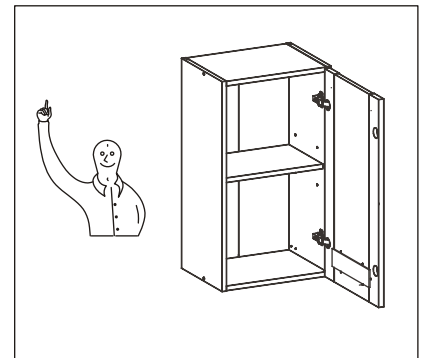
LEXUS W40,W40S,W45,W45S,W50,W50S



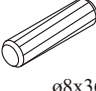



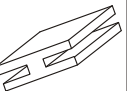

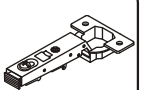
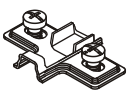

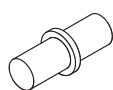



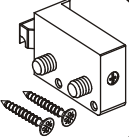

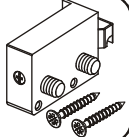

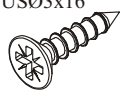
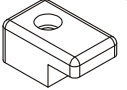

W40S,W45S,W50S

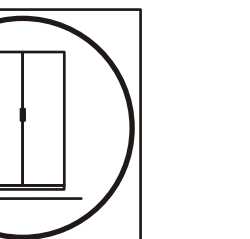
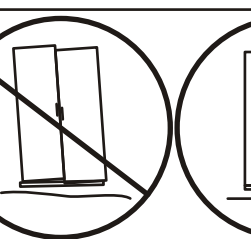
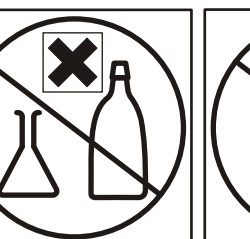
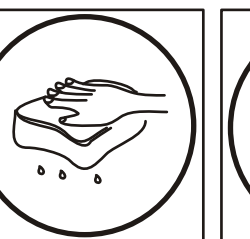
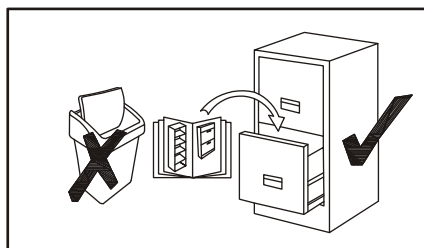
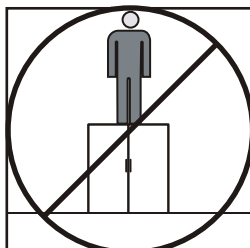
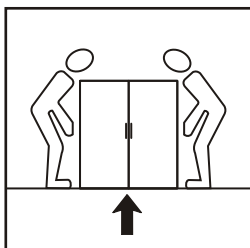
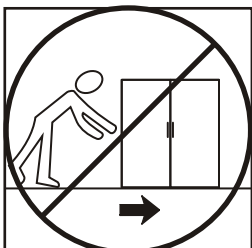
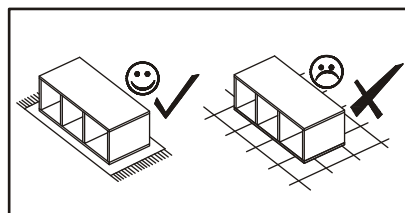
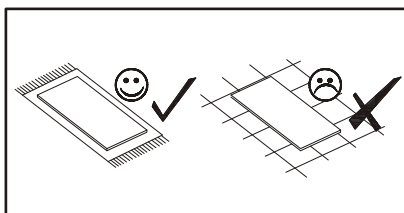
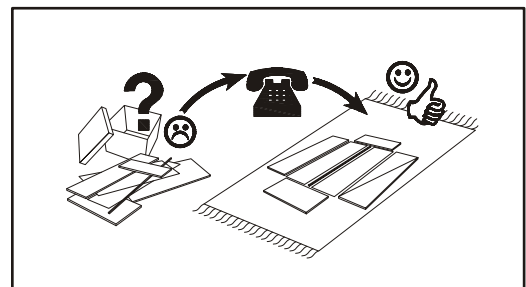
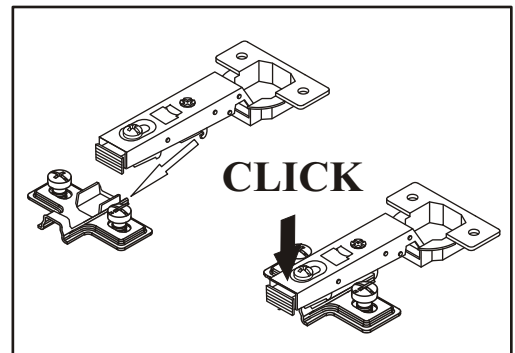
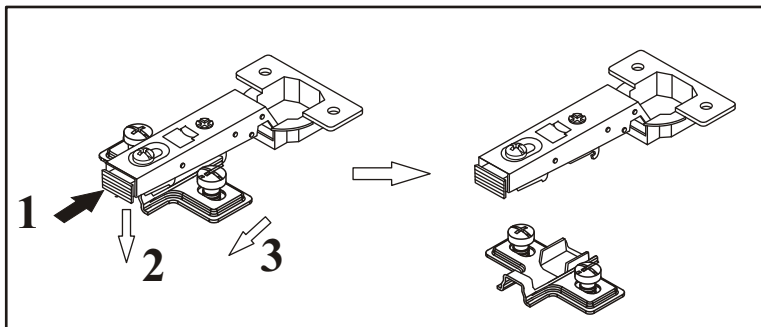
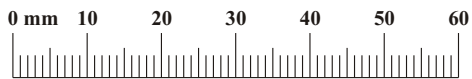


KALA
W40,W45,W50

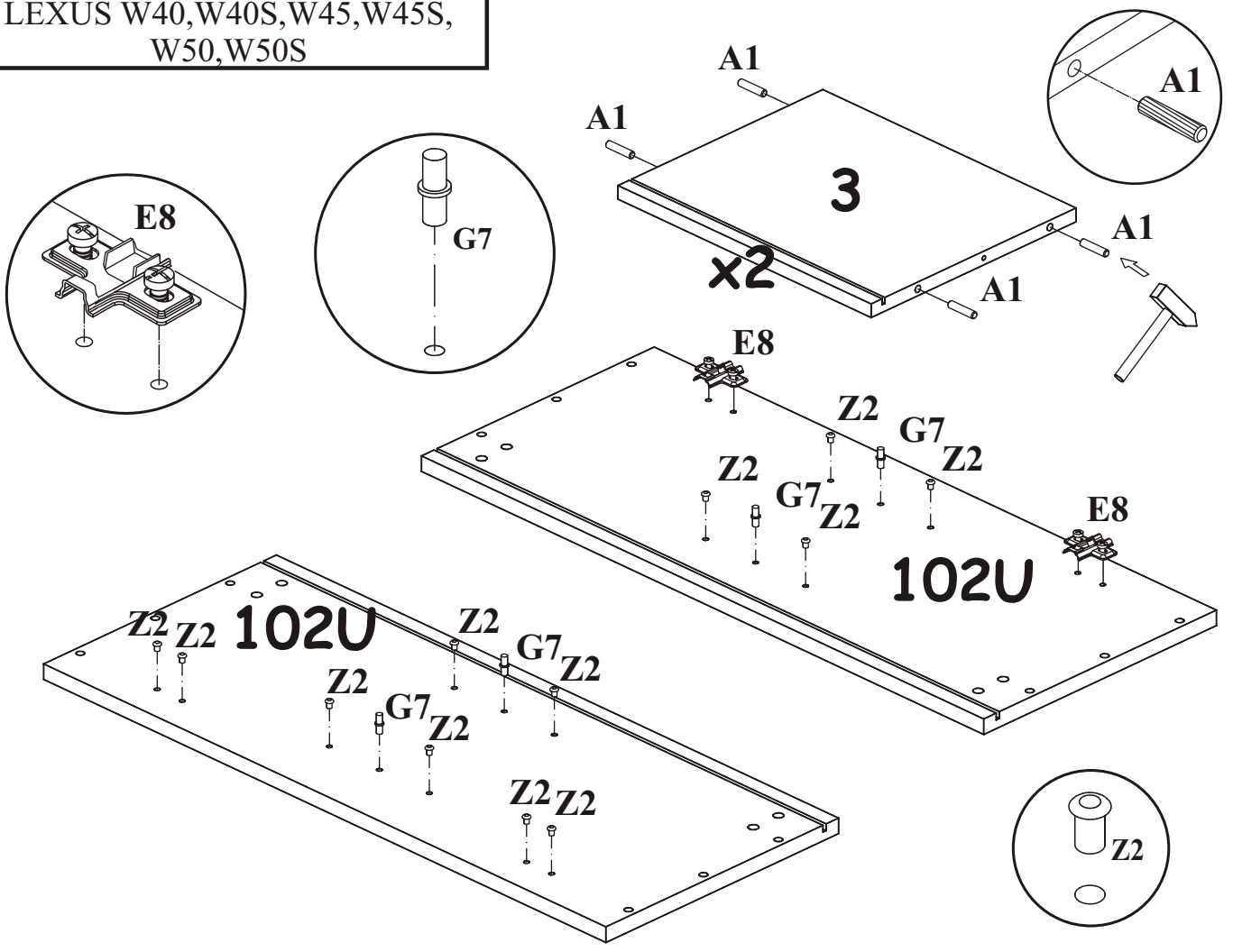


LEXUS W40, W40S, W45, W45S,
W50, W50S

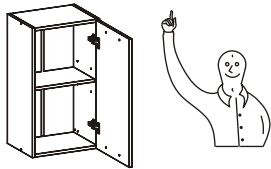
A1 X8  ø8x36	B11 X4  Ø7x50	G4 X4 	Z2 X16  ø5	G8 X1 	Z5 X4  Ø10
E7 X2 	E8 X2 	S1 X8 	G7 X4 	D10 X4  USØ3,5x13	G2 X1 
* X1 L-160mm  !!! KALA ; ZOBAL=0	ZXL x1  	ZXP x1  	D7 W40S, 45S,50S, KALA X6  USØ3x16 KALA-COLI 2	G9 W40S, 45S,50S, KALA X6  KALA-COLI 2	G3 KALA, ZOBAL X2  Ø35



1



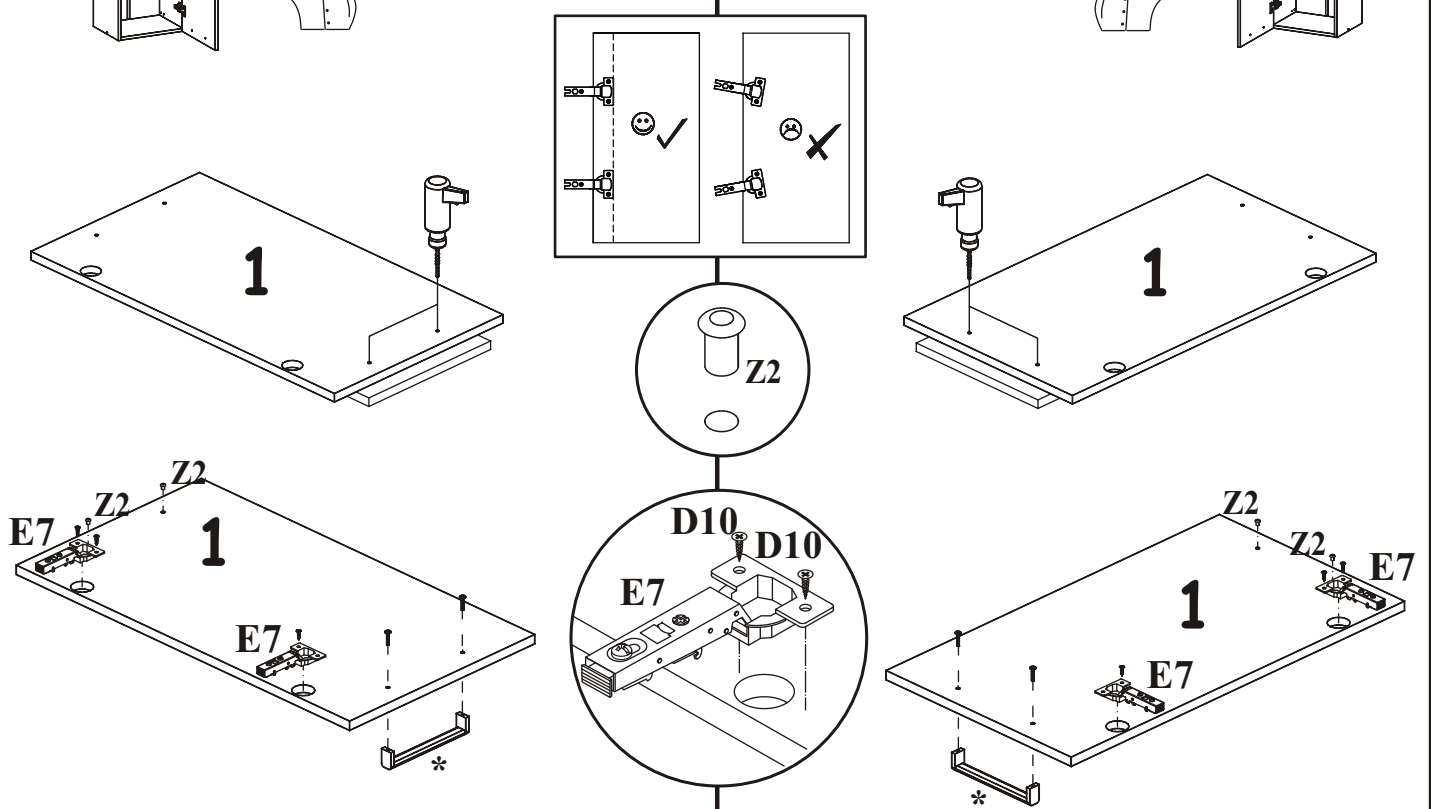
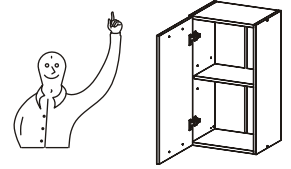
2



W40,W45,W50

2

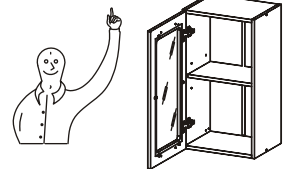
W40,W45,W50



LEXUS W40,W40S,W45,W45S,
W50,W50S

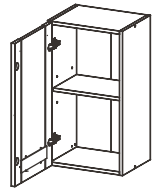
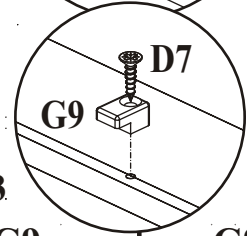
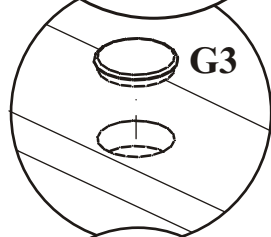
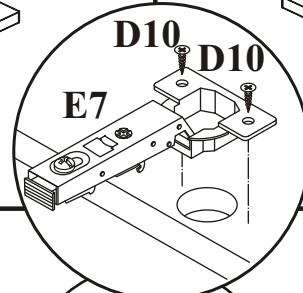
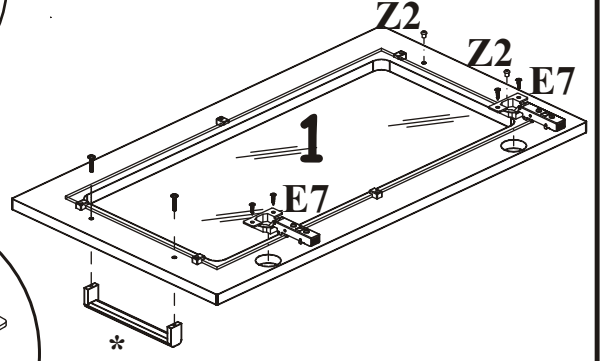
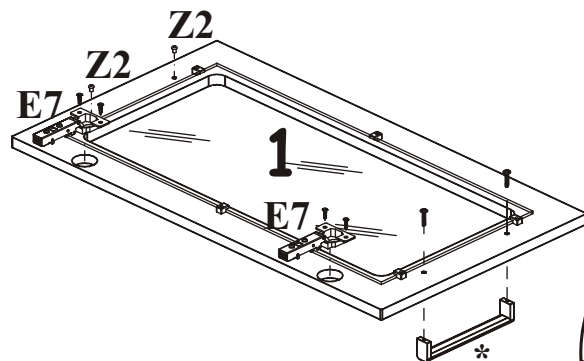
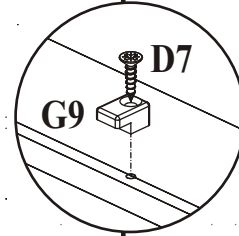
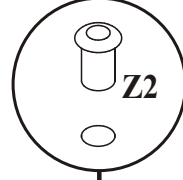
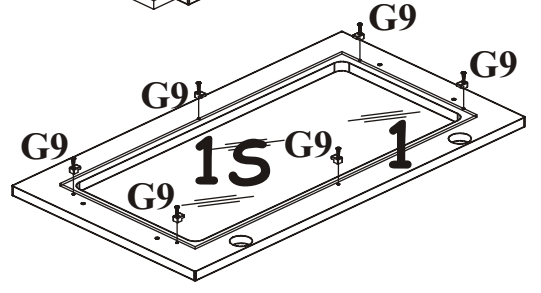
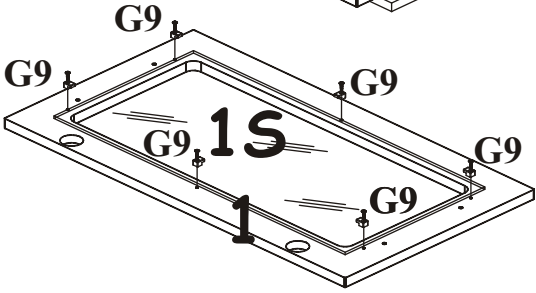
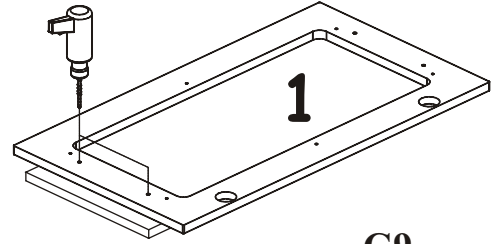
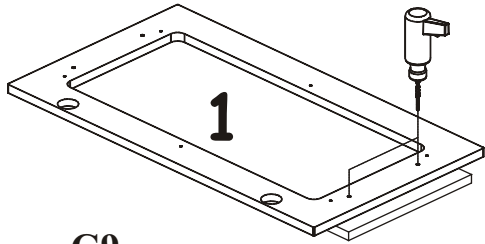
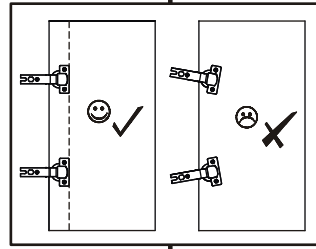
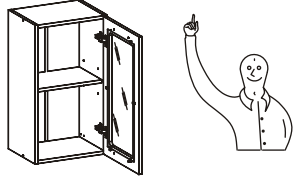
2

W40S,W45S,W50S



2

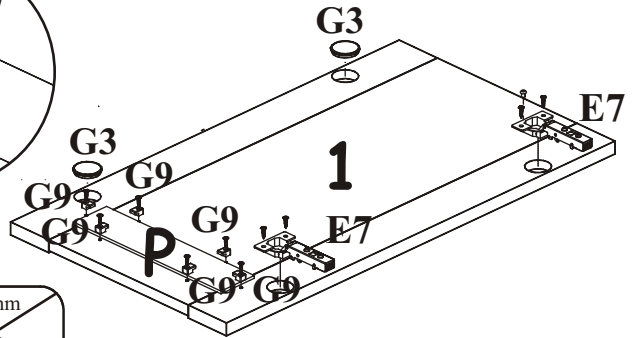
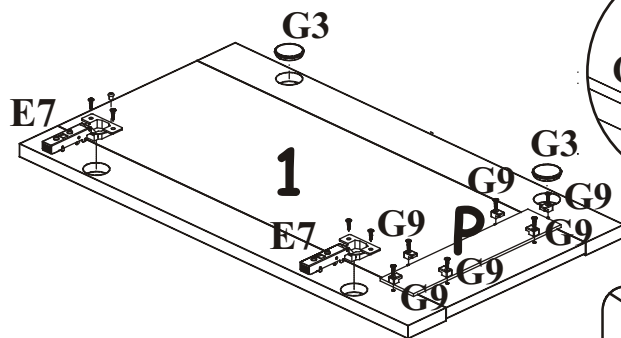
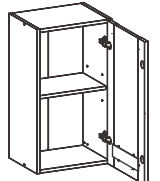
WS40,W45,W50S



KALA
W40,W45,W50

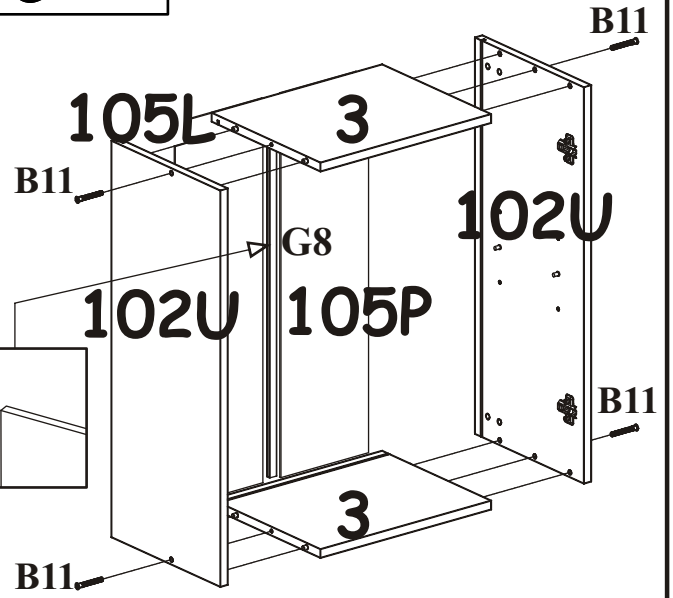
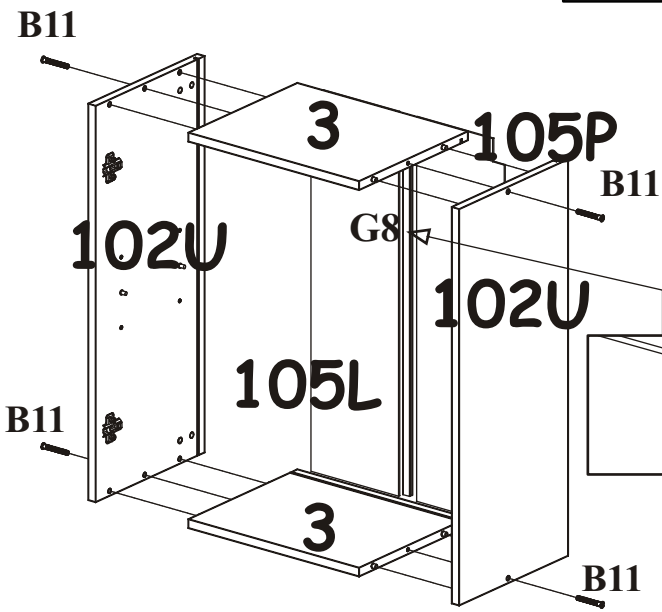
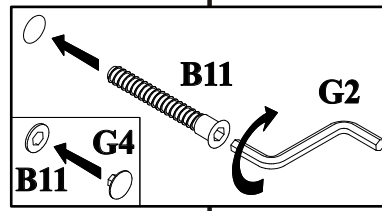
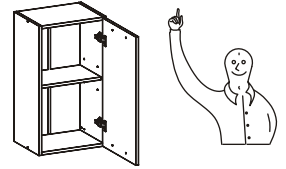
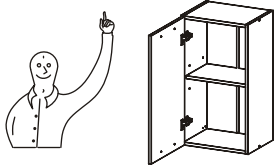


KALA
W40,W45,W50

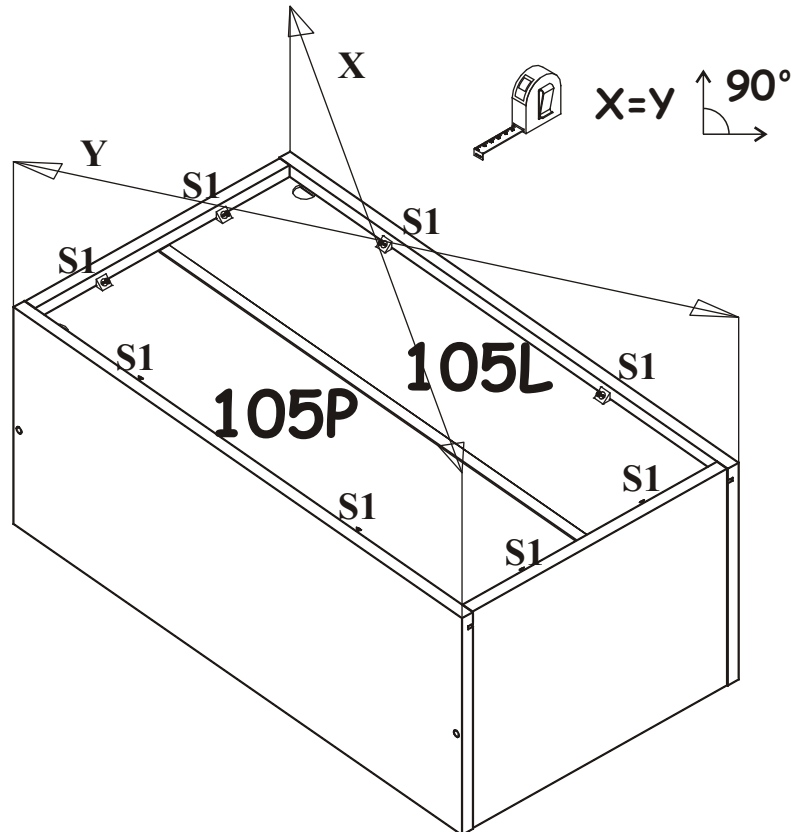
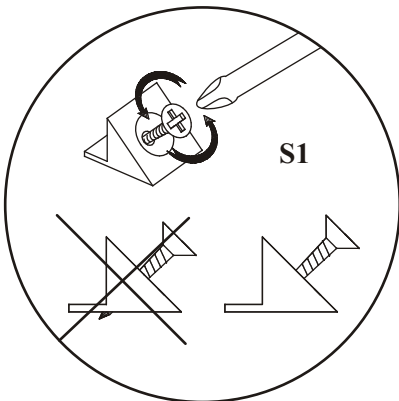
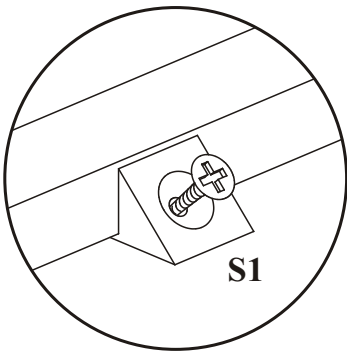


LEXUS W40,W40S,W45,W45S,
W50,W50S

3

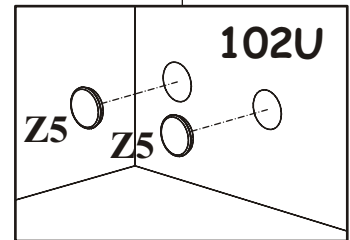
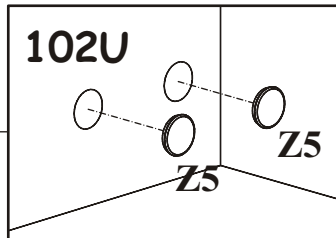
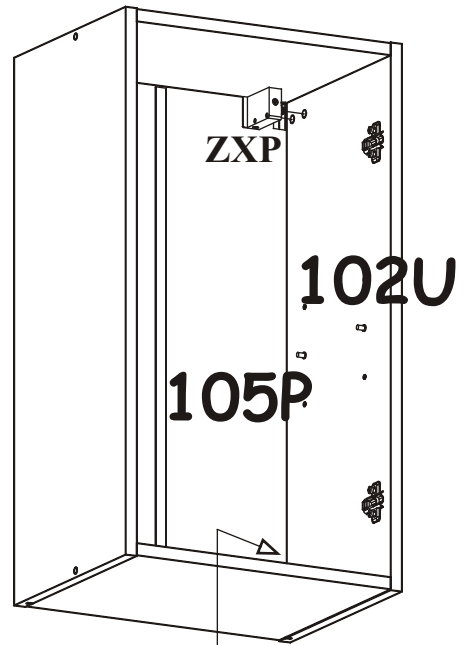
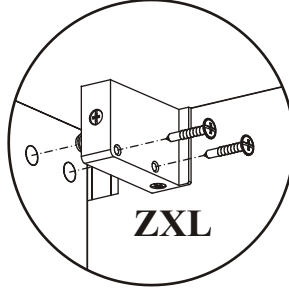
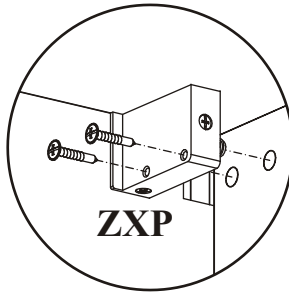
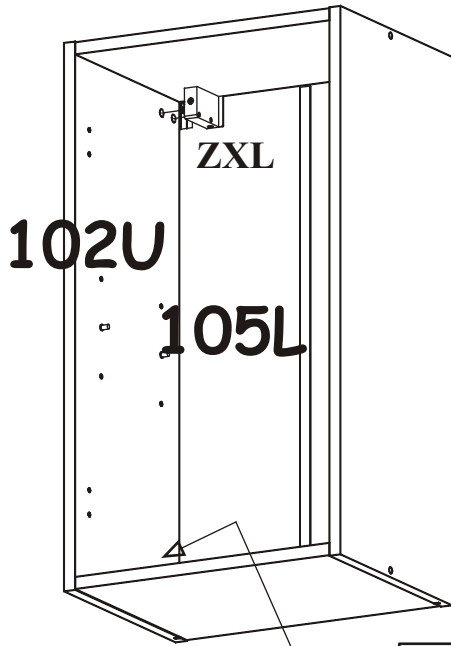


4

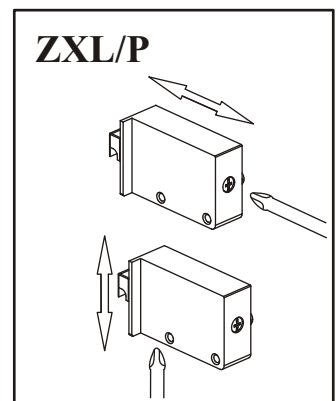
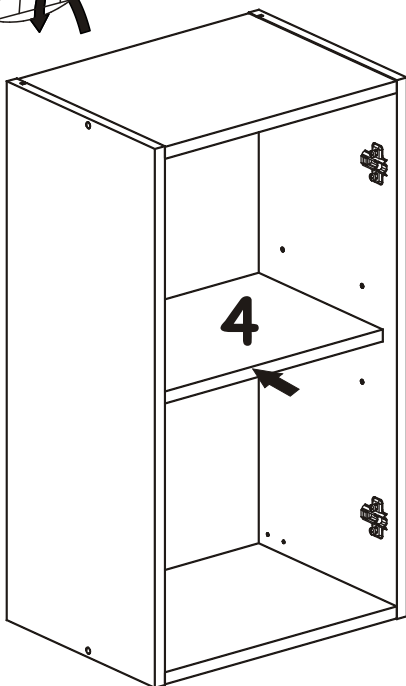
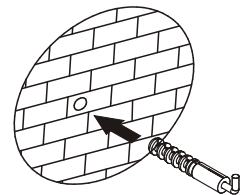
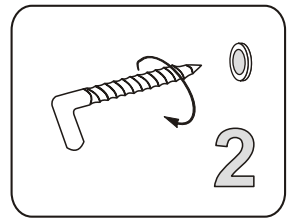
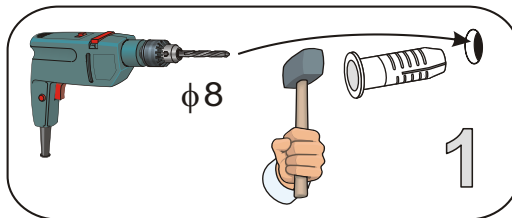
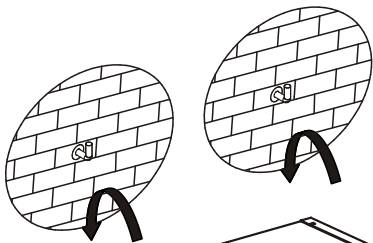


LEXUS W40,W40S,W45,W45S,
W50,W50S

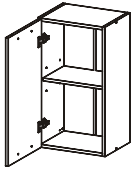
5



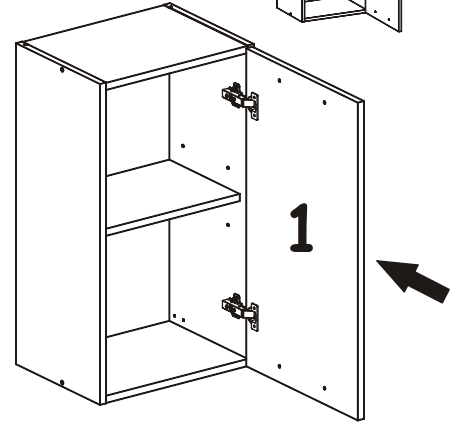
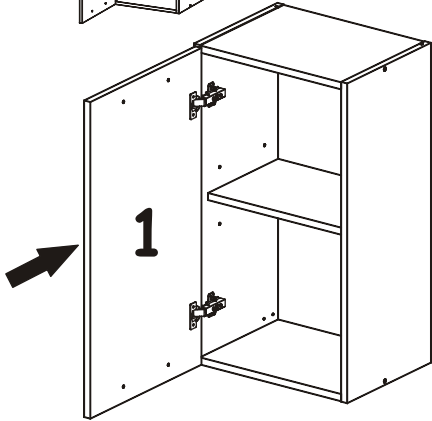
6



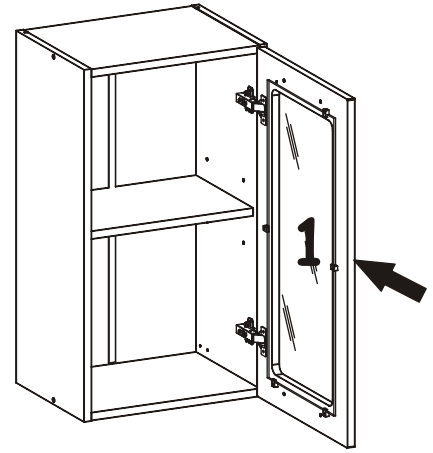
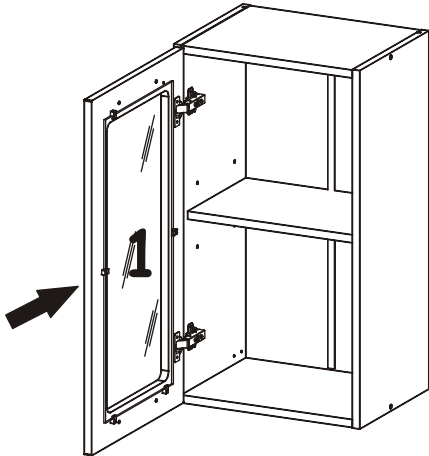
7



**W40, W45,
W50**



**W40S, W45S,
W50S**



**KALA
W40, W45,
W50**

