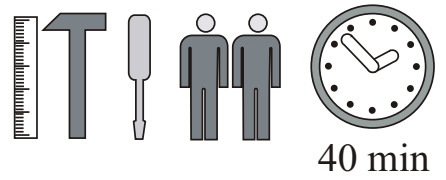
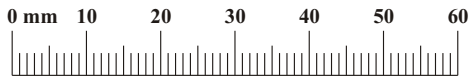
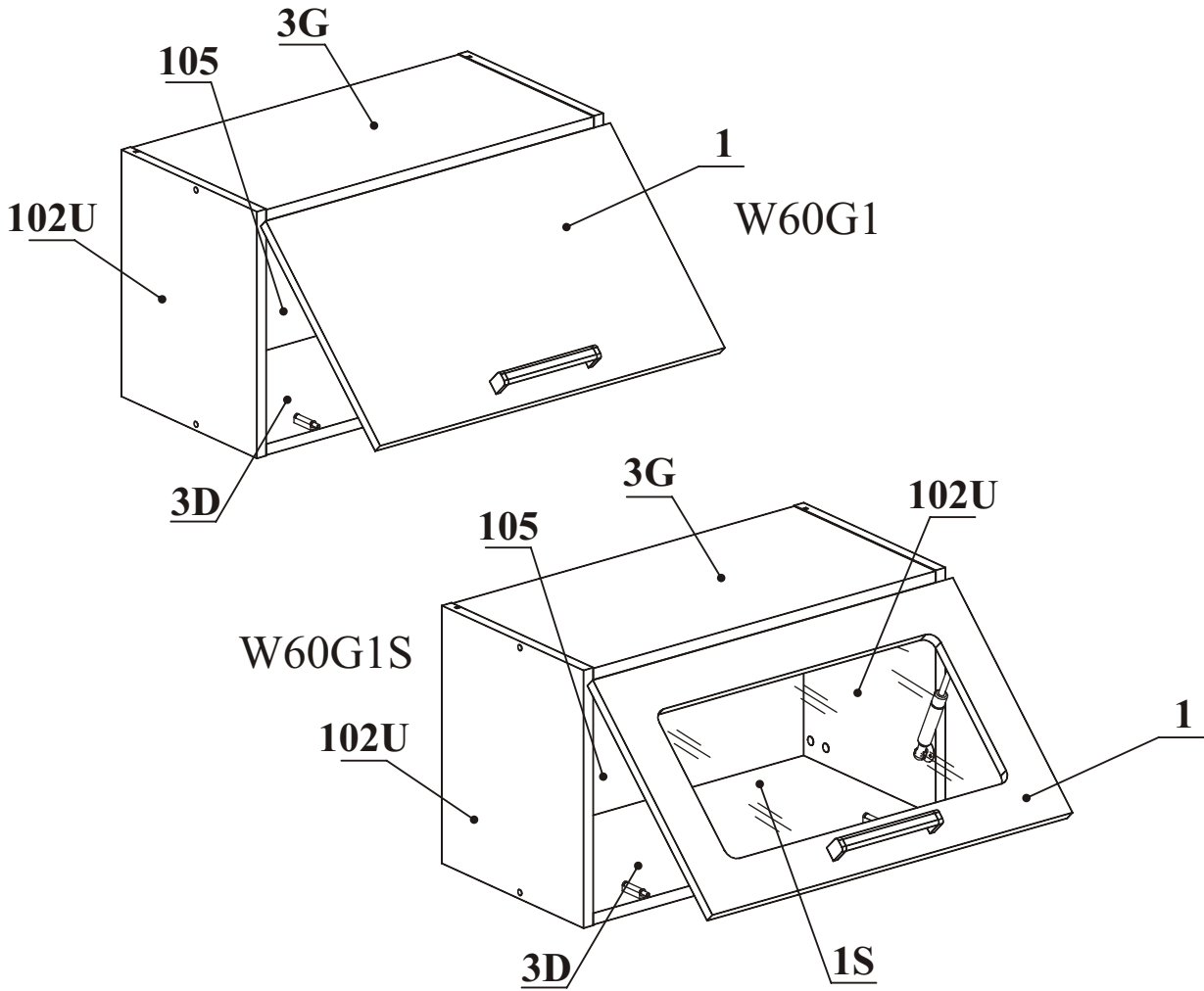


# LEXUS

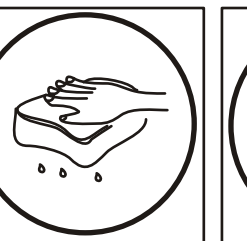
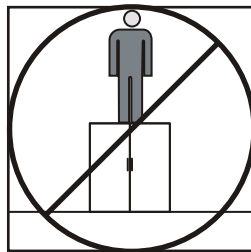
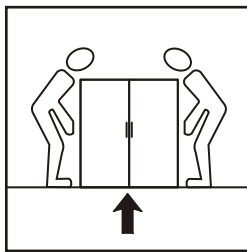
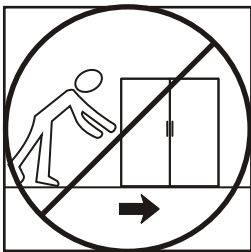
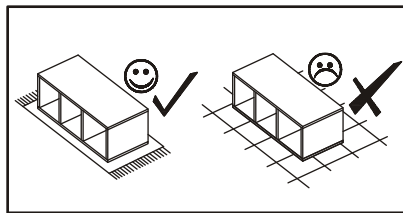
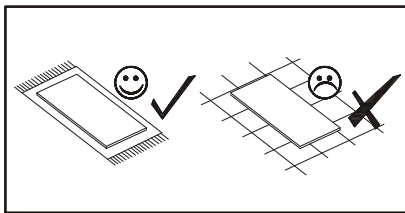
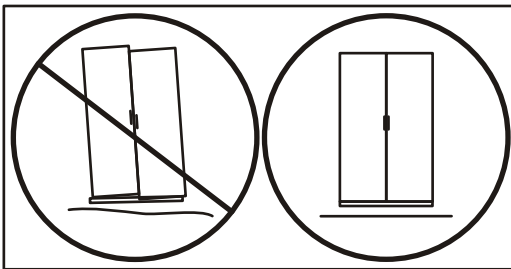
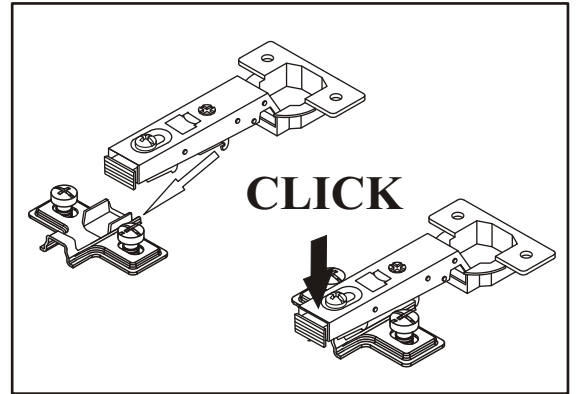
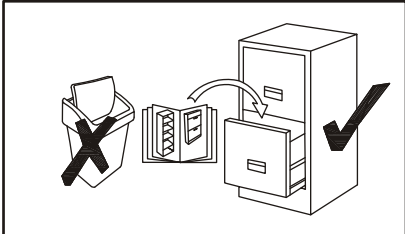
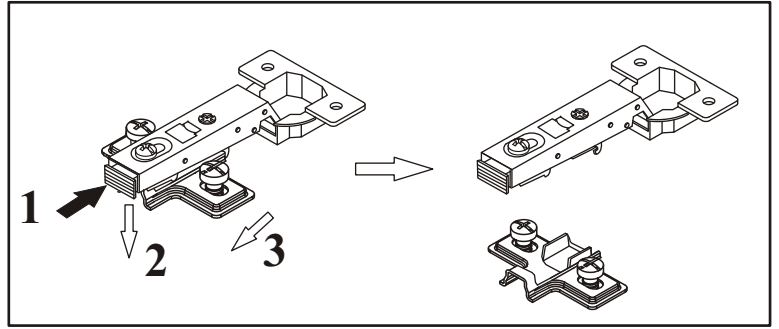
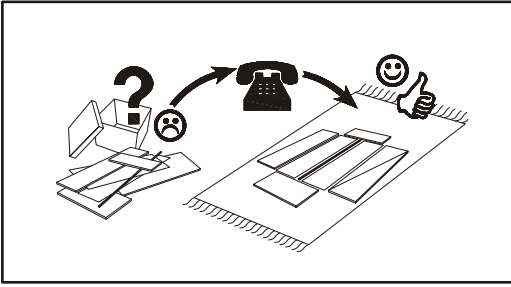
# W60G1, W60G1S



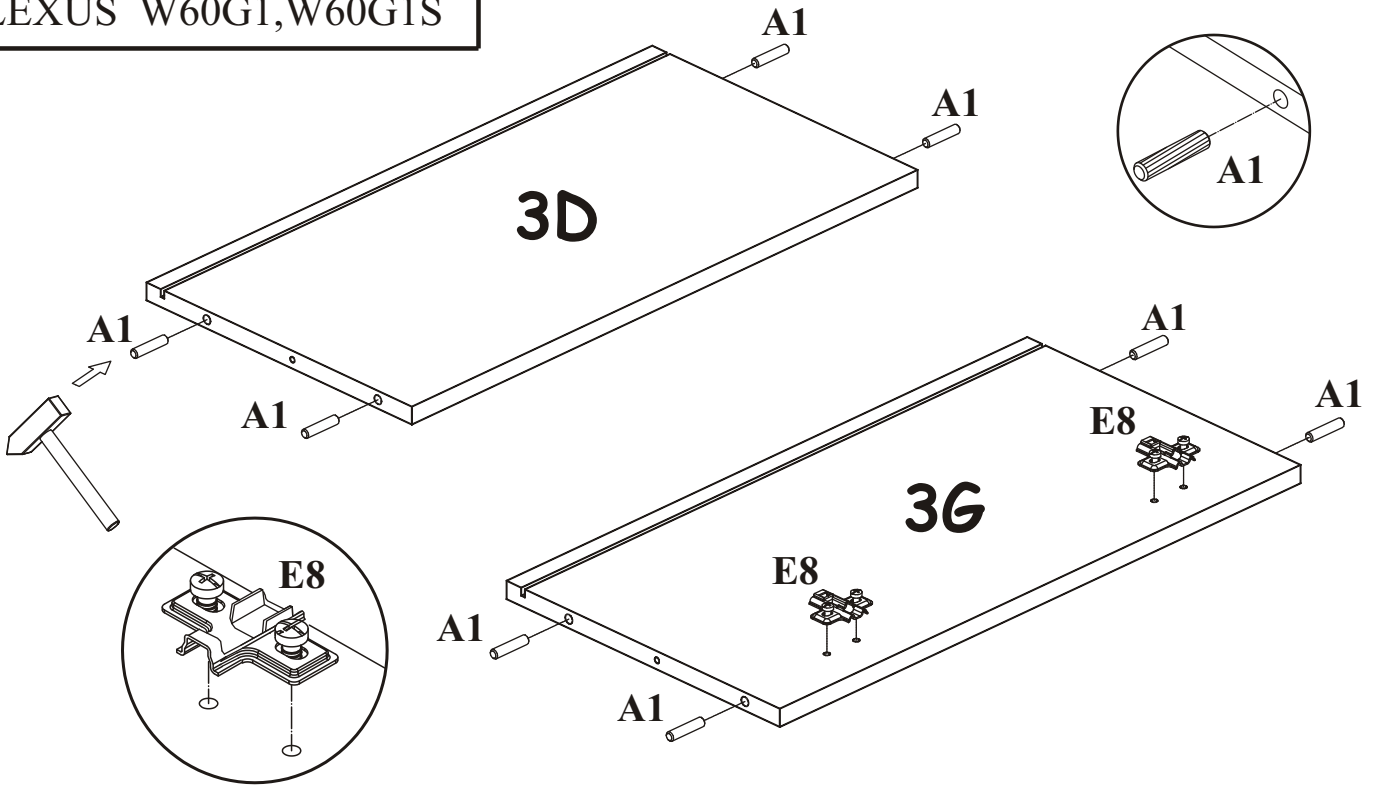
*	L-160mm 
X1	!!! KALA; ZOBAL=0

A1 X8  ø8x36	B11 X4  Ø7x50	G4 X4 	Z2 X2  Ø5	BP1 X1 	Z5 X4  Ø10
E7 X2 	E8 X2 	S1 X6 	D30 X4  USØ3,5x16	D10 X6  USØ3,5x13	G2 X1 
AR1 X2 	AR2 X2 	D7 X6  USØ3x16	G9 X6 	ZXL X1 	ZXP X1 

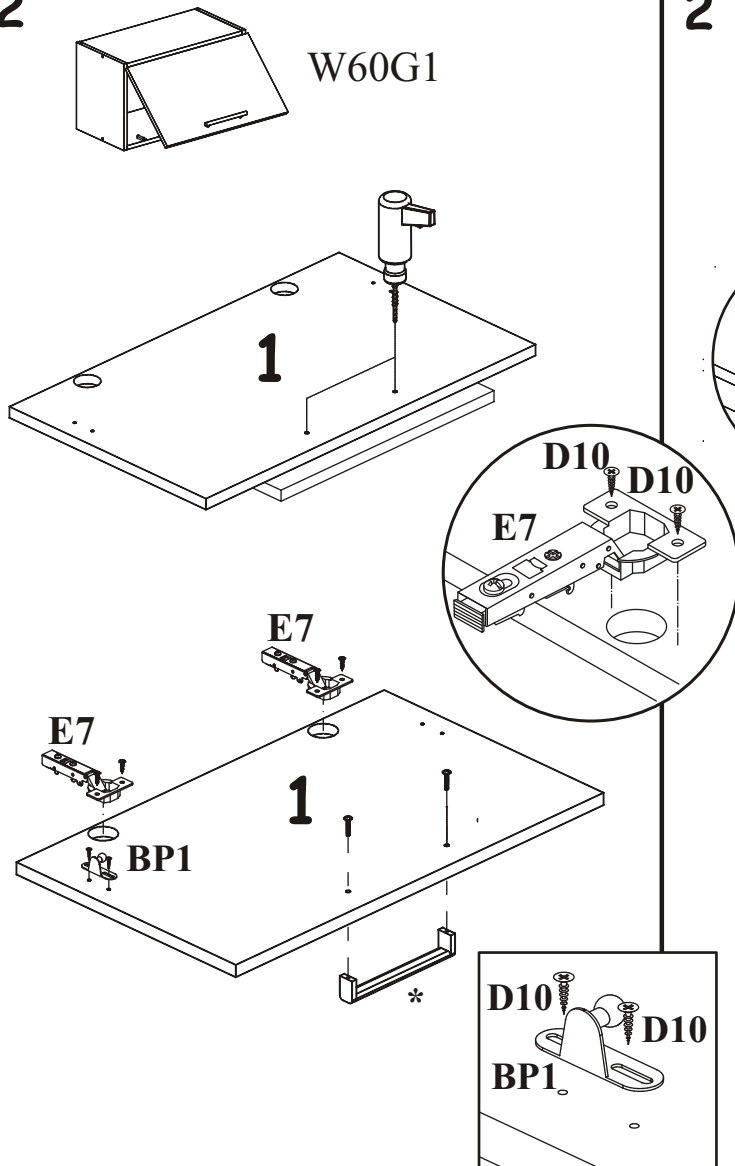
LEXUS W60G1,W60G1S



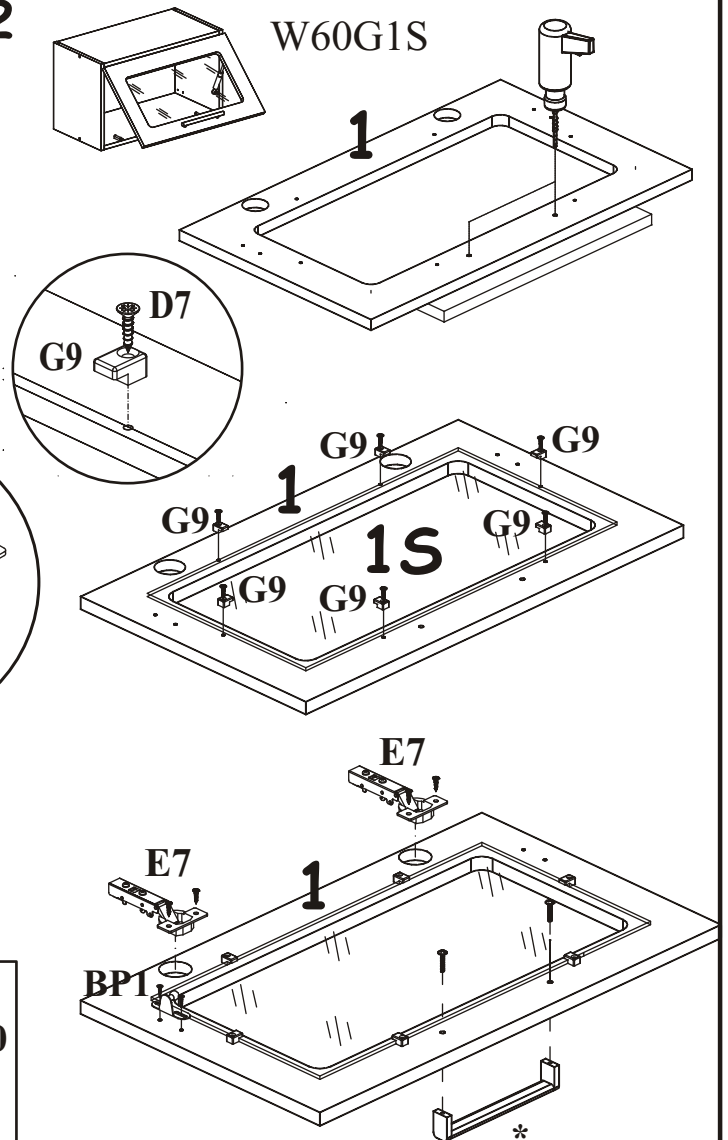
1



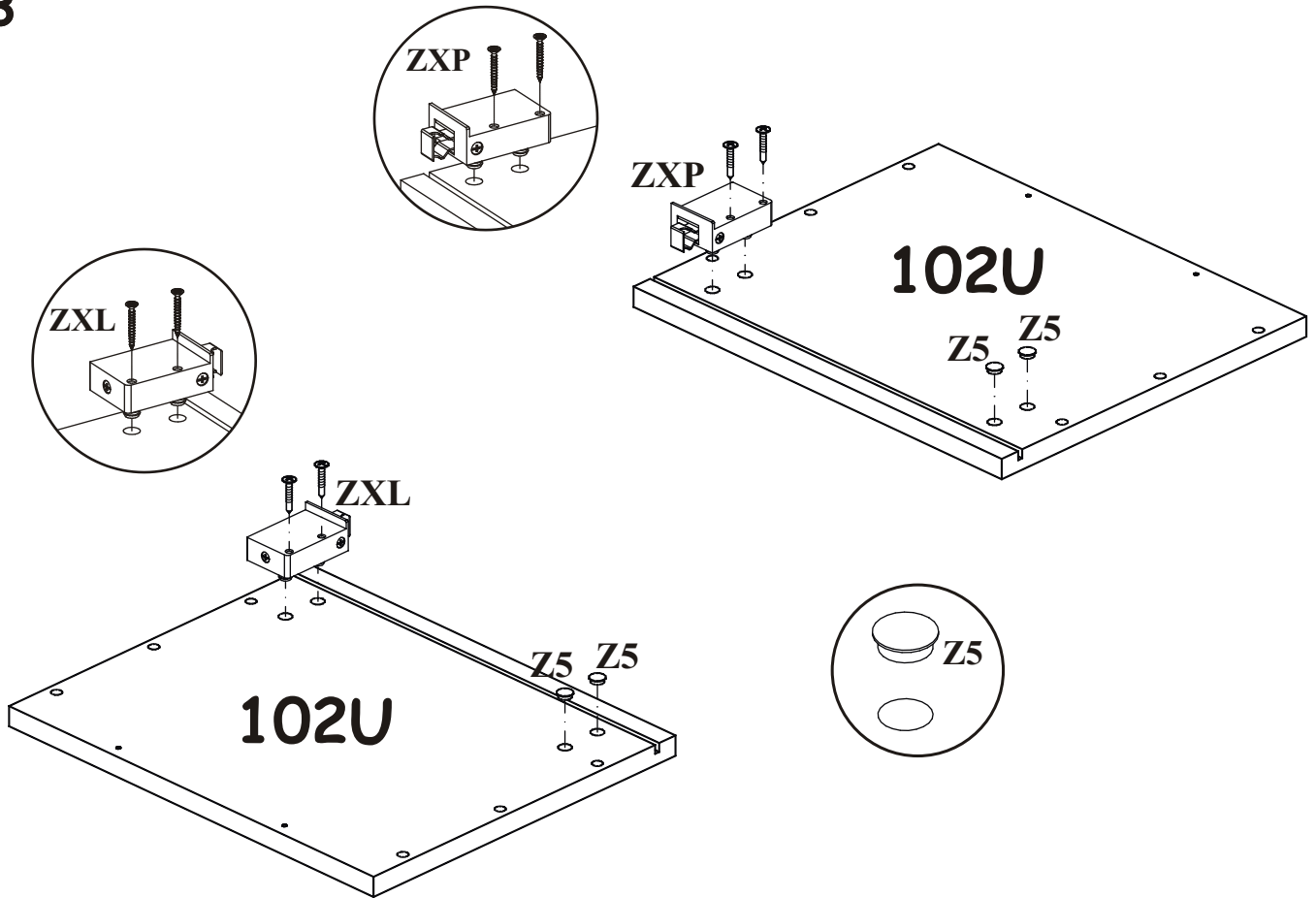
2



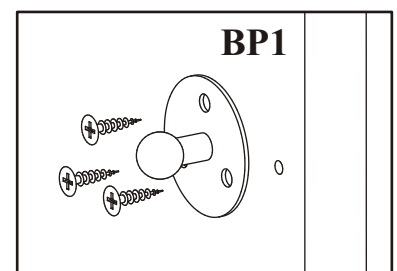
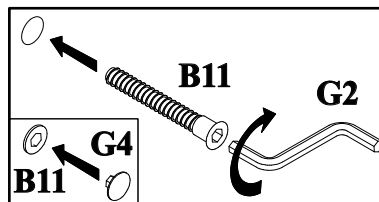
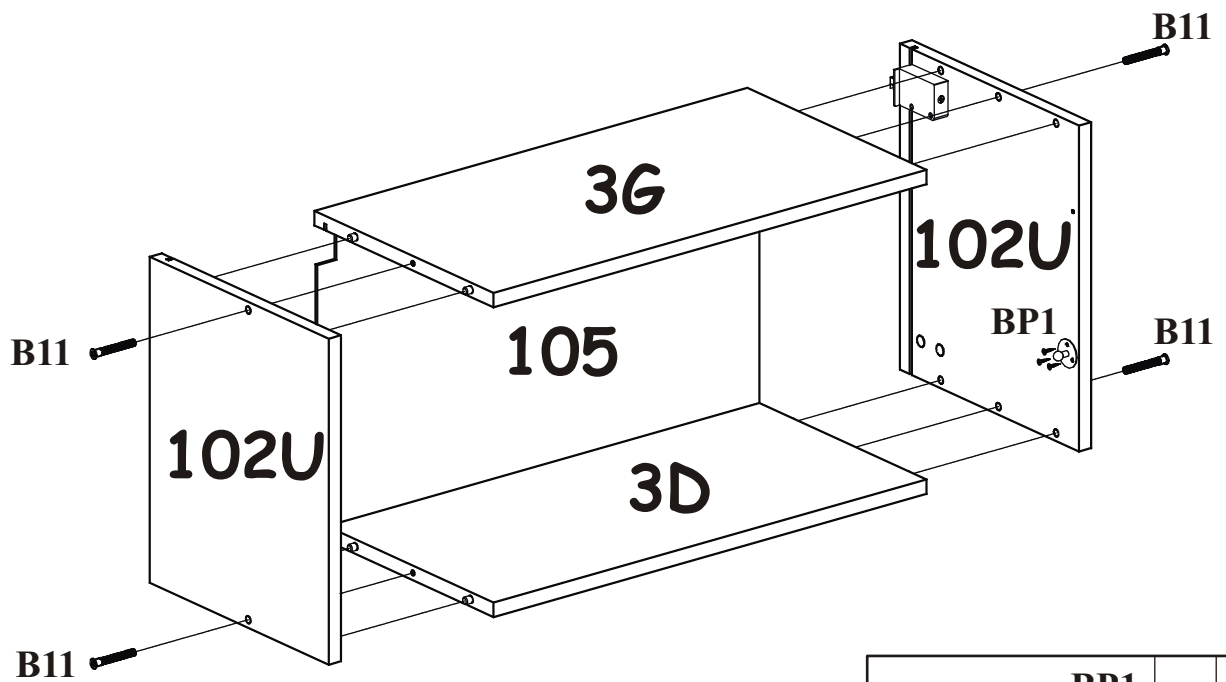
2



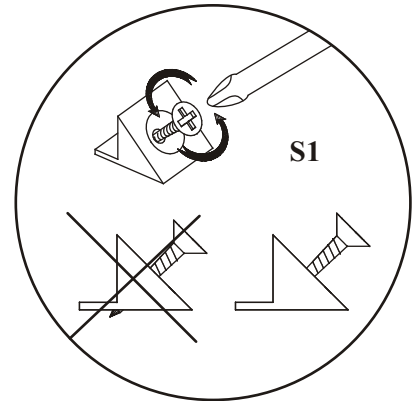
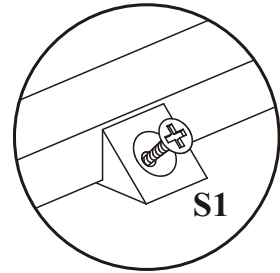
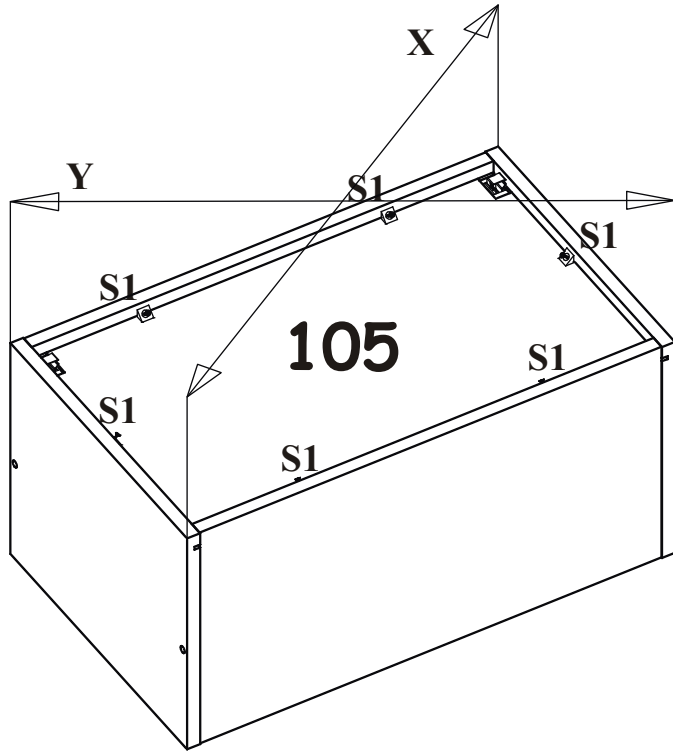
3



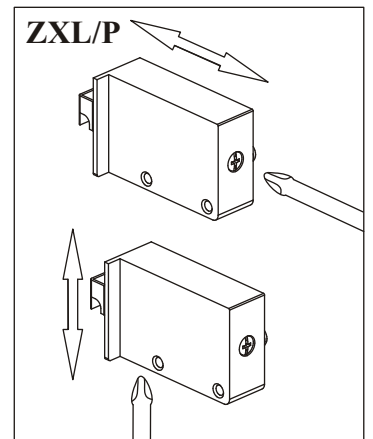
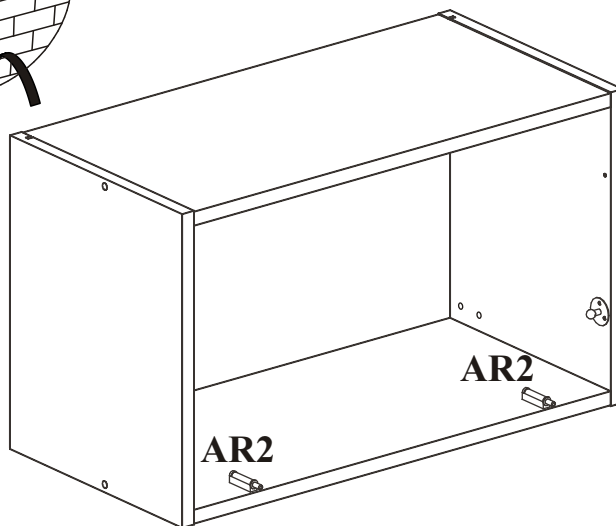
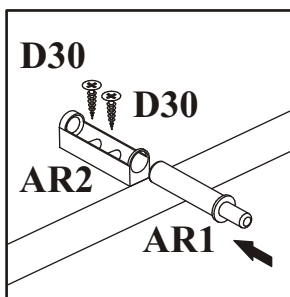
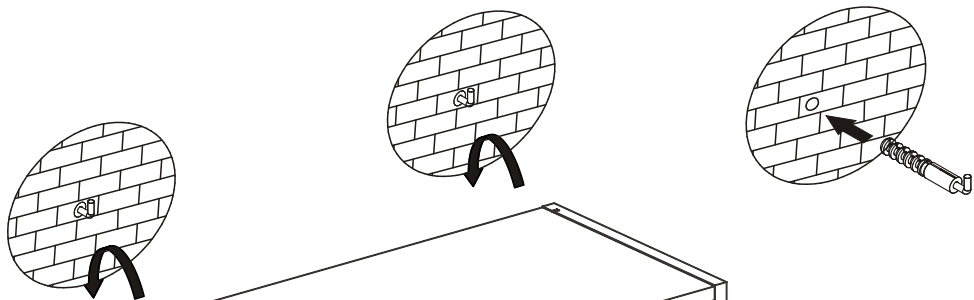
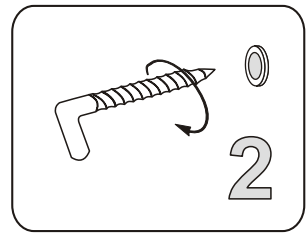
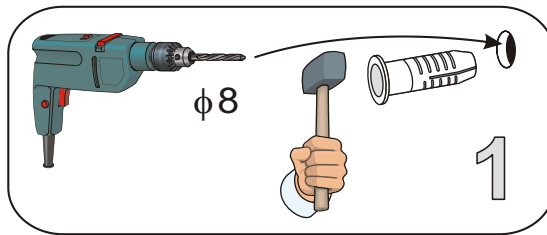
4



5



6



7

